

MODEL NO.....	PAGE NO.
BOILER TUBE EXPANDER	B114 series.....2-3
BOILER TUBE EXPANDER	BA series.....4-7
BOILER TUBE EXPANDER	BAF3 series.....8-11
BOILER TUBE EXPANDER	BAB series.....12-15
BOILER TUBE EXPANDER	BABF3 series.....16-19
BOILER TUBE EXPANDER	B1000series.....20-23
BOILER TUBE EXPANDER	B2000 series.....24-27
BOILER TUBE EXPANDER	B3000 series.....28-29
BOILER TUBE EXPANDER	COMBINATION BEADING EXPANDER.....30
BOILER TUBE EXPANDER	BV NON PARALLEL EXPANDER.....31
BOILER TUBE EXPANDER	BSB SERIES32
BOILER TUBE EXPANDER	BCSB SERIES33
BOILER TUBE EXPANDER	MANDREL DERIVE.....34
BOILER TUBE EXPANDER	ACCESSORIES35
BOILER TUBE EXPANDER	UNIVERSAL JOINT.....36
BOILER TUBE EXPANDER	GEAR DRIVE.....37

BOILER TUBE EXPANDER

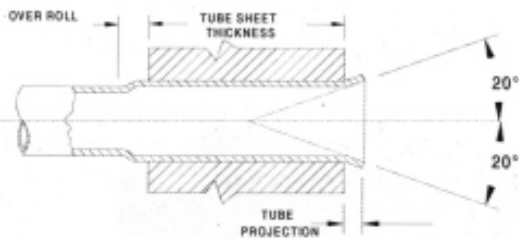


Tube O. D.
2"-4.1/2"

'B114' - 4 PLAIN ROLLERS & 2 FLARE ROLLERS

FEATURES:

- Overlapping rolls prevent ridging of tube.
- Can be converted for parallel expansion use enquire with us.
- Self retained rolls in cage.
- Use: General purpose expander for expanding and flaring boiler tubes, water wall, downcomer,



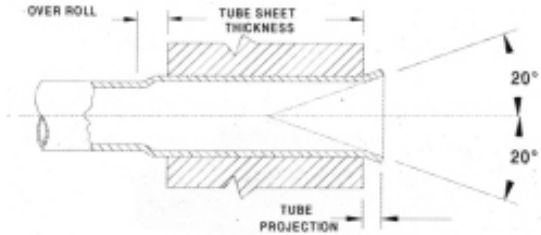
TUBE SIZE			TUBE SIZE			TUBE TOOL ENTERS		OF TOOL		TUBE SHEET THICKNESS RANGE				
O.D. inch	THK. GA.	THK. inch	O.D. inch	THK. GA.	THK. inch	Mm	Inch	Mm	Inch	1/2" TO 7/8"	3/4" TO 1. 1/8"	1. 1/8" TO 1. 5/8"	1. 5/8" TO 2. 1/8"	2. 1/8" TO 2. 5/8"
Tube Sheet Thickness Codes >>>										2	3	4	5	6
2	4 & 5	(.238 & .220)	1. 3/4	11 - 13	(.120 - .095)	36.1	(1.421)	43.1	(1.696)	-	B14172	B14174	B14176	B14178
2	6 & 7	(.203 & .180)	1. 3/4	14 - 16	(.480 - .065)	37.6	(1.480)	44.6	(1.755)	-	B14182	B14184	B14186	B14188
2	7 & 8	(.180 & .165)	1.3/4	15 & 16	(.072 & .065)	39.2	(1.543)	46.4	(1.826)	B14191	B14192	B14194	B14196	B14198
2	9 & 10	(.148 & .134)	2. 1/4	3	(.259)	40.8	(1.606)	48.0	(1.889)	B14201	B14202	B14204	B14206	B14208
2	11 - 13	(.120 - .095)	2. 1/4	4 & 5	(.238 & .220)	42.4	(1.669)	49.6	(1.952)	B14211	B14212	B14214	B14216	B14218
2. 1/2	2	(.284)	2. 1/4	6 - 8	(.203 - .165)	45.2	(1.779)	52.6	(2.070)	-	B14222	B14224	B14226	B14228
2. 1/2	3 & 4	(.259 & .238)	2. 1/4	9 - 11	(.148 - .120)	46.8	(1.842)	54.2	(2.133)	-	B14232	B14234	B14236	B14238
2. 1/2	4 - 6	(.238 - .203)	2. 1/4	12 - 15	(.109 - .072)	48.4	(1.905)	57.3	(2.255)	-	B14242	B14244	B14246	B14248
2. 1/2	7 - 10	(.180 - .134)	2. 3/4	2 & 3	(.284 & .259)	51.5	(2.027)	60.5	(2.381)	-	B14252	B14254	B14256	B14258
2. 1/2	11 - 13	(.120 - .095)	2. 3/4	4 & 5	(.238 & .220)	54.7	(2.153)	63.7	(2.507)	B14261	B14262	B14264	B14266	B14268
3	1 - 3	(.300 - .259)	2. 3/4	6 - 10	(.203 - .134)	57.1	(2.248)	66.6	(2.622)	-	B14272	B14274	B14276	B14278
3	4 - 6	(.238 - .203)	2. 3/4	11 - 15	(.120 - .072)	60.3	(2.374)	70.0	(2.755)	-	B14282	B14284	B14286	B14288
3	7 - 11	(.180 - .120)	3. 1/4	1 - 4	(.300 - .238)	63.5	(2.500)	73.9	(2.909)	-	B14292	B14294	B14296	B14298
3	10 - 12	(.134 - .109)	3. 1/4	4 - 7	(.238 - .180)	66.6	(2.622)	77.3	(3.043)	B14301	B14302	B14304	B14306	B14308
3. 1/2	1 - 4	(.300 - .238)	3. 1/4	7 - 11	(.180 - .120)	69.8	(2.748)	80.1	(3.153)	-	B14312	B14314	B14316	B14318
3. 1/2	4 - 7	(.238 - .180)	3. 1/4	10 - 15	(.134 - .072)	73.0	(2.874)	83.4	(3.283)	-	B14322	B14324	B14326	B14328
3. 1/2	7 - 11	(.180 - .120)	3. 3/4	2 & 3	(.284 & .259)	76.2	(3.000)	86.8	(3.417)	-	B14332	B14334	B14336	B14338
3. 1/2	10 - 12	(.134 - .109)	3. 3/4	4 & 5	(.238 & .220)	79.3	(3.122)	89.8	(3.535)	-	B14342	B14344	B14346	B14348
4	1 - 4	(.300 - .238)	3. 3/4	6 - 10	(.203 - .134)	82.5	(3.248)	93.0	(3.661)	-	B14352	B14354	B14356	B14358
4	4 - 7	(.238 - .180)	3. 3/4	11 - 15	(.120 - .072)	85.7	(3.374)	96.0	(3.779)	-	B14362	B14364	B14366	B14368
4	7 - 11	(.180 - .120)	4. 1/4	2 & 3	(.284 & .259)	88.9	(3.500)	98.6	(3.881)	-	B14372	B14374	B14376	B14378
4	8 - 12	(.165 - .109)	4. 1/4	3 & 5	(.259 & .220)	90.5	(3.562)	102.3	(4.027)	-	B14382	B14384	B14386	B14388
4. 1/2	1 - 4	(.300 - .238)	4. 1/4	6 - 9	(.203 - .148)	95.2	(3.748)	104.7	(4.122)	-	B14392	B14394	B14396	B14398
4. 1/2	3 - 8	(.238 - .165)	4. 1/4	10 - 13	(.134 - .095)	98.4	(3.874)	110.3	(4.342)	-	B14402	B14404	B14406	B14408
4. 1/2	6 - 12	(.203 - .109)				101.6	(4.000)	113.5	(4.468)	-	B14412	B14414	B14416	B14418

BOILER TUBE EXPANDER



'B114' - 4 PLAIN ROLLERS & 2 FLARE ROLLERS

Tube O. D.
2"-4.1/2"



SPARE ROLLERS SET MODEL NUMBER					SPARE MANDREL MODEL NUMBER					
TUBE SHEET THICKNESS RANGE					MANDREL SIZE inch	DRUM TYPE	HEADER TYPE	SHORT SERIES		SHORT SERIES 7. 1/8 inch
1/2" TO 7/8"	3/4" TO 1. 1/8"	1. 1/8" TO 1. 5/8"	1. 5/8" TO 2. 1/8"	2. 1/8" TO 2. 5/8"				5. 1/8 inch		
2	3	4	5	6	<<< Tube Sheet Thickness Codes					
-	B34872	B34874	B34878	B34948	3/4	B32269	B32289	B32308 B32309 B32310 B32311	-	
-	B34879	B34881	B34883	B34949	3/4	B32269	B32289	B32309 B32310 B32311	-	
B34878	B34879	B34881	B34883	B34949	3/4	B32270	B32290	B32309 B32310 B32311 B32312	-	
B34878	B34879	B34881	B34883	B34949	3/4	B32271	B32291	B32311 B32312 B32313	B32346	
B34885	B34886	B34888	B34890	B34950	3/4	B32270	B32290	B32310 B32311 B32312	B32345 B32344	
-	B34893	B34895	B34897	B34951	3/4	B32270	B32290	B32310 B32311 B32312 B32313	-	
-	B34893	B34895	B34897	B34951	3/4	B32271	B32291	B32311 B32312 B32313 B32314	-	
-	B34893	B34895	B34897	B34951	3/4	B32272	B32292	B32312 B32313 B21214 B32315	-	
-	B34900	B34902	B34904	B34952	3/4	B32272	B32292	B32312 B32313 B32314 B32315	B32347 B32348 B32349	
B34899	B34900	B34902	B34904	B34952	3/4	B32273	B32293	B32315 B32316 B32317	B33630 B33631	
-	B34907	B34909	B34911	B34953	3/4	B32273	B32293	B32315 B32316 B32317 B32318	-	
-	B34907	B34909	B34911	B34953	1	B32274	B32294	32317 32318 32319 32320 32321	-	
-	B34914	B34916	B34918	B34954	1	B32274	B32294	B32318 B32319 B32320 B32321	33632 33633 33634 33635	
B34913	B34914	B34916	B34918	B34954	1	B32275	B32295	B32320 B32321 B32322	B33634 B33635	
-	B34921	B34923	B34925	B34955	1	B32274	B32294	B32318 B32319 B32320 B32321	-	
-	B34921	B34923	B34925	B34955	1	B32275	B32295	B32321 B32322 B32323 B32324	-	
-	B34921	B34923	B34925	B34955	1	B32276	B32296	B32323 B32324 B32325 B32326	-	
-	B34921	B34923	B34925	B34955	1	B32277	B32297	B32324 B32325B 32326 B32327	-	
-	B34928	B34930	B34932	B34956	1	B32276	B32296	B32324 B32325 B32326 B32327	-	
-	B34928	B34930	B34932	B34956	1	B32277	B32297	B32326 B32327 B32328 B32329	-	
-	B34928	B34930	B34932	B34956	1	B32278	B32298	B32328 B32329 B32330 B32331	-	
-	B34935	B34937	B34939	B34957	1	B32277	B32297	B32324 B32325 B32326 B32327	-	
-	B34935	B34937	B34939	B34957	1	B32278	B32298	B32329 B32330 B32331 B32332	-	
-	B34935	B34937	B34939	B34957	1	B32279	B32299	B32331 B32332 B32350 B32337	-	
-	B34942	B34944	B34946	B34958	1	B32278	B32298	B32326 B32327 B32328 B32329	-	

BOILER TUBE EXPANDER



PARALLEL TYPE 'BA' - 3 PLAIN ROLLERS

Tube O. D.
7/8" - 4.1/2"

FEATURES:

- Time tested, durable design.
- Sturdy construction with rolls self contained in cage.
- Best 'Value for Money' tool in the world when parallel rolling tubes.
- Use - Economical tool used for applications where tubes are to be expanded without flaring.



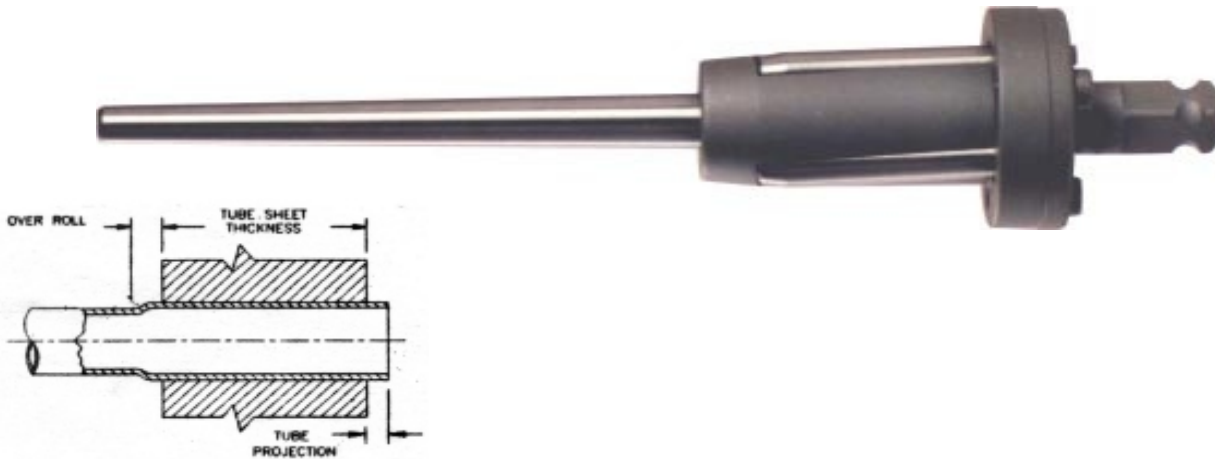
TUBE SIZE			TUBE SIZE			MIN. I. D. TUBE TOOL ENTERS		MAX. EXPANSION OF TOOL		TUBE EXPANDER MODEL NUMBER				
O.D. inch	THK. GA.	THK. inch	O.D. inch	THK. GA.	THK. inch	Mm	Inch	Mm	Inch	TUBE SHEET THICKNESS RANGE				
										1/2" TO 7/8"	3/4" TO 1. 1/8"	1. 1/8" TO 1. 5/8"	1. 5/8" TO 2. 1/8"	2. 1/8" TO 2. 5/8"
Tube Sheet Thickness Codes >>>										2	3	4	5	6
7/8	15	(.072)	1	10	(.134)	18.1	(.712)	20.4	(.803)	BA-31/2	BA-31/3	-	-	-
7/8	16	(.065)				18.4	(.724)	20.7	(.814)	BA-32/2	BA-32/3	-	-	-
7/8	17	(.058)	1	11	(.120)	18.8	(.740)	21.1	(.830)	BA-33/2	BA-33/3	-	-	-
7/8	18	(.049)	1	12	(.109)	19.4	(.763)	21.6	(.850)	BA-34/2	BA-34/3	-	-	-
7/8	19 & 20	(.042 & .035)	1. 1/8	8	(.165)	19.7	(.775)	22.3	(.877)	BA-35/2	BA-35/3	-	-	-
1	13	(.095)				20.1	(.791)	22.4	(.881)	BA-36/2	BA-36/3	-	-	-
1	14	(.083)	1. 1/8	9	(.148)	20.6	(.811)	23.1	(.909)	BA-37/2	BA-37/3	BA-37/4	-	-
1	15 & 16	(.072 & .065)	1. 1/8	10	(.134)	21.3	(.838)	23.8	(.937)	BA-38/2	BA-38/3	BA-38/4	-	-
1	17 & 18	(.058 & .048)	1. 1/8	11	(.120)	22.0	(.866)	24.5	(.964)	BA-39/2	BA-39/3	BA-39/4	-	-
1	19 & 20	(.042 & .035)	1. 1/8	12	(.109)	22.4	(.881)	25.0	(.984)	BA-40/2	BA-40/3	BA-40/4	-	-
1. 1/4	8	(.165)	1. 1/8	13	(.095)	23.3	(.917)	25.9	(1.019)	BA-41/2	BA-41/3	BA-41/4	-	-
1. 1/4	9	(.148)	1. 1/8	14	(.083)	23.8	(.937)	26.5	(1.043)	BA-42/2	BA-42/3	BA-42/4	-	-
1. 1/4	10	(.134)	1. 1/8	15 & 16	(.072 & .065)	24.4	(.960)	27.2	(1.070)	BA-43/2	BA-43/3	BA-43/4	-	-
1. 1/4	11	(.120)				25.2	(.992)	28.0	(1.102)	BA-44/2	BA-44/3	BA-44/4	-	-
1. 1/4	12	(.109)				25.7	(1.011)	28.5	(1.122)	BA-45/2	BA-45/3	BA-45/4	-	-
1. 1/4	13	(.095)	1. 3/8	8	(.165)	26.1	(1.027)	28.8	(1.133)	BA-46/2	BA-46/3	BA-46/4	-	-
1. 1/4	14	(.083)				26.4	(1.039)	29.2	(1.149)	BA-47/2	BA-47/3	BA-47/4	-	-
1. 1/4	15	(.072)	1. 3/8	9	(.148)	26.9	(1.059)	29.7	(1.169)	BA-48/2	BA-48/3	BA-48/4	-	-
1. 1/4	16	(.065)	1. 3/8	10	(.134)	27.6	(1.086)	30.4	(1.196)	BA-49/2	BA-49/3	BA-49/4	BA-49/5	A-49/6
1. 1/2	7	(.180)	1. 3/8	11	(.120)	28.3	(1.114)	31.2	(1.228)	BA-50/2	BA-50/3	BA-50/4	BA-50/5	A-50/6
1. 1/2	8	(.165)	1. 3/8	12	(.109)	28.8	(1.133)	31.7	(1.248)	BA-51/2	BA-51/3	BA-51/4	BA-51/5	A-51/6
1. 1/2	9	(.148)	1. 3/8	13 & 14	(.095 & .083)	29.5	(1.161)	33.4	(1.314)	BA-52/2	BA-52/3	BA-52/4	BA-52/5	A-52/6
1. 1/2	10	(.134)	1. 3/8	15 & 16	(.072 & .065)	30.0	(1.181)	34.1	(1.342)	BA-53/2	BA-53/3	BA-53/4	BA-53/5	A-53/6
1. 1/2	11 & 12	(.120 & .109)				30.6	(1.204)	34.8	(1.370)	BA-54/2	BA-54/3	BA-54/4	BA-54/5	A-54/6
1. 1/2	13	(.095)	1. 3/4	5	(.220)	31.4	(1.236)	35.6	(1.401)	BA-55/2	BA-55/3	BA-55/4	BA-55/5	A-55/6
1. 1/2	14 & 15	(.083 & .072)	1. 3/4	6	(.203)	32.6	(1.283)	36.8	(1.448)	BA-56/2	BA-56/3	BA-56/4	BA-56/5	A-56/6
			1. 3/4	7	(.180)	33.4	(1.314)	38.1	(1.500)	BA-57/2	BA-57/3	BA-57/4	BA-57/5	A-57/6
2	3	(.259)	1. 3/4	8	(.165)	34.2	(1.346)	38.7	(1.523)	BA-58/2	BA-58/3	BA-58/4	BA-58/5	A-58/6
2	4	(.238)	1. 3/4	9 & 10	(.148 & .134)	35.0	(1.377)	40.6	(1.598)	BA-59/2	BA-59/3	BA-59/4	BA-59/5	A-59/6
			1. 3/4	11 & 12	(.120 & .109)	36.6	(1.440)	42.2	(1.661)	BA-60/2	BA-60/3	BA-60/4	BA-60/5	A-60/6
2	5 & 6	(.220 & .203)	1. 3/4	13 & 14	(.095 & .083)	38.2	(1.503)	43.8	(1.712)	BA-61/2	BA-61/3	BA-61/4	BA-61/5	A-61/6
2	7 & 8	(.180 & .165)	1. 3/4	15 & 16	(.072 & .065)	39.8	(1.566)	45.4	(1.787)	BA-62/2	BA-62/3	BA-62/4	BA-62/5	A-62/6
2	9 & 10	(.148 & .134)	2. 1/4	3	(.259)	41.4	(1.629)	47.0	(1.850)	BA-63/2	BA-63/3	BA-63/4	BA-63/5	A-63/6
2	11 - 13	(.120 - .095)	2. 1/4	4	(.238)	42.9	(1.688)	49.5	(1.948)	BA-64/2	BA-64/3	BA-64/4	BA-64/5	A-64/6
2	14 - 16	(.083 - .065)	2. 1/4	6 & 7	(.203 & .180)	44.5	(1.751)	51.1	(2.011)	BA-65/2	BA-65/3	BA-65/4	BA-65/5	A-65/6
2	17 & 18	(.058 & .049)	2. 1/4	8 & 9	(.165 & .148)	46.1	(1.814)	52.7	(2.074)	BA-66/2	BA-66/3	BA-66/4	BA-66/5	A-66/6

BOILER TUBE EXPANDER



PARALLEL TYPE 'BA' - 3 PLAIN ROLLERS

Tube O. D.
7/8" - 4.1/2"



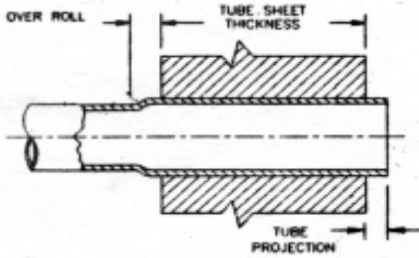
SPARE ROLLERS SET MODEL NUMBER					SPARE MANDREL MODEL NUMBER			
TUBE SHEET THICKNESS RANGE					MANDREL SIZE inch	DRUM TYPE	HEADER TYPE	SHORT SERIES
1/2" TO 7/8"	3/4" TO 1. 1/8"	1. 1/8" TO 1. 5/8"	1. 5/8" TO 2. 1/8"	2. 1/8" TO 2. 5/8"				
2	3	4	5	6	<<< Tube Sheet Thickness Codes			
15-2-RS 15-2-RS 16-2-RS	15-3-RS 15-3-RS 16-3-RS	- - -	- - -	- - -	3/8 3/8 3/8	BDM-11 BDM-12 BDM-12	- - -	- - -
20-2-RS 17-2-RS 18-2-RS	20-3-RS 17-3-RS 18-3-RS	- - -	- - -	- - -	3/8 3/8 3/8	BDM-12 BDM-13 BDM-12	- - -	- - -
18-2-RS 19-2-RS 21-2-RS	18-3-RS 19-3-RS 21-3-RS	18-4-RS 19-4-RS 21-4-RS	- - -	- - -	3/8 3/8 3/8	BDM-13 BDM-13 BDM-13	BHM-13 BHM-13 BHM-13	BSM-13 BSM-13 BSM-13
21-2-RS 22-2-RS 23-2-RS	21-3-RS 22-3-RS 23-3-RS	21-4-RS 22-4-RS 23-4-RS	- - -	- - -	3/8 3/8 1/2	BDM-14 BDM-14 BDM-15	BHM-14 BHM-14 BHM-15	BSM-14 BSM-14 BSM-15
24-2-RS 26-2-RS 27-2-RS	24-3-RS 26-3-RS 27-3-RS	24-4-RS 26-4-RS 27-4-RS	- - -	- - -	1/2 1/2 1/2	BDM-15 BDM-16 BDM-16	BHM-15 BHM-16 BHM-16	BSM-15 BSM-16 BSM-16
31-2-RS 28-2-RS 29-2-RS	31-3-RS 28-3-RS 29-3-RS	31-4-RS 28-4-RS 29-4-RS	- - -	- - -	1/2 1/2 1/2	BDM-16 BDM-17 BDM-17	BHM-16 BHM-17 BHM-17	BSM-16 BSM-17 BSM-17
30-2-RS 30-2-RS 32-2-RS	30-3-RS 30-3-RS 32-3-RS	30-4-RS 30-4-RS 32-4-RS	30-5-RS 30-5-RS 32-5-RS	30-6-RS 30-6-RS 32-6-RS	1/2 1/2 1/2	BDM-17 BDM-18 BDM-18	BHM-17 BHM-18 BHM-18	BSM-17 BSM-18 BSM-18
28-2-RS 29-2-RS 30-2-RS	28-3-RS 29-3-RS 30-3-RS	28-4-RS 29-4-RS 30-4-RS	28-5-RS 29-5-RS 30-5-RS	28-6-RS 29-6-RS 30-6-RS	1/2 1/2 1/2	BDM-20 BDM-20 BDM-20	BHM-20 BHM-20 BHM-20	BSM-20 BSM-20 BSM-20
33-2-RS 34-2-RS 36-2-RS	33-3-RS 34-3-RS 36-3-RS	33-4-RS 34-4-RS 36-4-RS	33-5-RS 34-5-RS 36-5-RS	33-6-RS 34-6-RS 36-6-RS	1/2 1/2 1/2	BDM-20 BDM-21 BDM-21	BHM-20 BHM-21 BHM-21	BSM-20 BSM-21 BSM-21
37-2-RS 33-2-RS 37-2-RS	37-3-RS 33-3-RS 37-3-RS	37-4-RS 33-4-RS 37-4-RS	37-5-RS 33-5-RS 37-5-RS	37-6-RS 33-6-RS 37-6-RS	1/2 3/4 3/4	BDM-21 BDM-22 BDM-22	BHM-21 BHM-22 BHM-22	BSM-21 BSM-22 BSM-22
38-2-RS 39-2-RS 40-2-RS	38-3-RS 39-3-RS 40-3-RS	38-4-RS 39-4-RS 40-4-RS	38-5-RS 39-5-RS 40-5-RS	38-6-RS 39-6-RS 40-6-RS	3/4 3/4 3/4	BDM-22 BDM-22 BDM-22	BHM-22 BHM-22 BHM-22	BSM-22 BSM-22 BSM-22
40-2-RS 41-2-RS 42-2-RS	40-3-RS 41-3-RS 42-3-RS	40-4-RS 41-4-RS 42-4-RS	40-5-RS 41-5-RS 42-5-RS	40-6-RS 41-6-RS 42-6-RS	3/4 3/4 3/4	BDM-23 BDM-23 BDM-23	BHM-23 BHM-23 BHM-23	BSM-23 BSM-23 BSM-23

BOILER TUBE EXPANDER



PARALLEL TYPE 'BA' - 3 PLAIN ROLLERS

Tube O. D.
7/8" - 4.1/2"



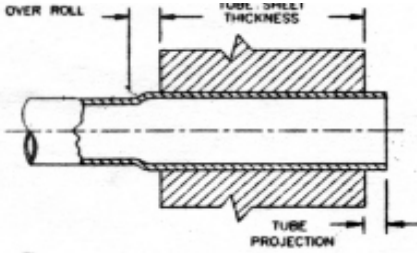
TUBE SIZE			TUBE SIZE			MIN. I. D. TUBE TOOL ENTERS	MAX. EXPANSION OF TOOL	TUBE EXPANDER MODEL NUMBER						
O.D. inch	THK. GA.	THK. inch	O.D. inch	THK. GA.	THK. inch			TUBE SHEET THICKNESS RANGE						
						Mm	Inch	Mm	Inch	1/2" TO 7/8"	3/4" TO 1. 1/8"	1. 1/8" TO 1. 5/8"	1. 5/8" TO 2. 1/8"	2. 1/8" TO 2. 5/8"
Tube Sheet Thickness Codes >>>										2	3	4	5	6
2. 1/2	3	(.259)	2. 1/4	10 & 11	(.134 & .120)	47.7	(1.877)	54.3	(2.137)	BA-67/2	BA-67/3	BA-67/4	BA-67/5	BA-67/6
2. 1/2	4 & 5	(.238 & .220)	2. 1/4	12 & 13	(.109 & .095)	49.3	(1.940)	55.9	(2.200)	BA-68/2	BA-68/3	BA-68/4	BA-68/5	BA-68/6
2. 1/2	6 & 7	(.203 & .180)	2. 1/4	14 - 16	(.083 - .065)	50.8	(2.000)	57.8	(2.275)	BA-69/2	BA-69/3	BA-69/4	BA-69/5	BA-69/6
2. 1/2	8 & 9	(.165 & .148)	2. 3/4	3	(.259)	52.4	(2.062)	59.4	(2.338)	BA-70/2	BA-70/3	BA-70/4	BA-70/5	BA-70/6
2. 1/2	10 & 11	(.134 & .120)	2. 3/4	4	(.238)	54.0	(2.125)	61.0	(2.401)	BA-71/2	BA-71/3	BA-71/4	BA-71/5	BA-71/6
2. 1/2	12 - 14	(.109 - .083)	2. 3/4	5 & 6	(.220 & .203)	55.6	(2.188)	64.0	(2.519)	BA-72/2	BA-72/3	BA-72/4	BA-72/5	BA-72/6
2. 1/2	15 & 16	(.072 & .065)	2. 3/4	7 & 8	(.180 & .165)	57.2	(2.251)	65.6	(2.582)	BA-73/2	BA-73/3	BA-73/4	BA-73/5	BA-73/6
3	3	(.259)	2. 3/4	9 & 10	(.148 & .134)	58.6	(2.307)	67.0	(2.637)	BA-74/2	BA-74/3	BA-74/4	BA-74/5	BA-74/6
3	4	(.238)	2. 3/4	11 - 13	(.120 - .095)	60.4	(2.377)	68.8	(2.708)	BA-75/2	BA-75/3	BA-75/4	BA-75/5	BA-75/6
3	5 & 6	(.220 & .203)	2. 3/4	14 - 16	(.083 - .065)	62.2	(2.448)	70.4	(2.771)	BA-76/2	BA-76/3	BA-76/4	BA-76/5	BA-76/6
3	7 & 8	(.180 & .165)	3. 1/4	3	(.259)	63.6	(2.503)	72.0	(2.834)	BA-77/2	BA-77/3	BA-77/4	BA-77/5	BA-77/6
3	9 & 10	(.148 & .134)	3. 1/4	4	(.238)	65.0	(2.559)	73.4	(2.889)	BA-78/2	BA-78/3	BA-78/4	BA-78/5	BA-78/6
3	11 - 13	(.120 - .095)	3. 1/4	5 & 6	(.220 & .203)	66.6	(2.622)	75.0	(2.952)	BA-79/2	BA-79/3	BA-79/4	BA-79/5	BA-79/6
3	14 - 16	(.083 - .065)	3. 1/4	7 & 8	(.180 & .165)	68.3	(2.688)	76.9	(3.027)	BA-80/2	BA-80/3	BA-80/4	BA-80/5	BA-80/6
3. 1/2	2	(.284)	3. 1/4	9 & 10	(.148 & .134)	69.9	(2.751)	78.5	(3.090)	BA-81/2	BA-81/3	BA-81/4	BA-81/5	BA-81/6
3. 1/2	3	(.259)	3. 1/4	11 - 13	(.120 - .095)	71.5	(2.814)	80.1	(3.153)	BA-82/2	BA-82/3	BA-82/4	BA-82/5	BA-82/6
3. 1/2	4	(.238)	3. 1/4	14 - 16	(.083 - .065)	73.1	(2.877)	81.7	(3.216)	BA-83/2	BA-83/3	BA-83/4	BA-83/5	BA-83/6
3. 1/2	5 & 6	(.220 & .203)	3. 1/4	7 & 8	(.180 & .165)	74.6	(2.937)	84.2	(3.314)	BA-84/2	BA-84/3	BA-84/4	BA-84/5	BA-84/6
3. 1/2	7 & 8	(.180 & .165)	3. 3/4	2	(.084)	76.2	(3.000)	85.5	(3.366)	BA-85/2	BA-85/3	BA-85/4	BA-85/5	BA-85/6
3. 1/2	9 - 11	(.148 - .120)	3. 3/4	3	(.259)	77.8	(3.062)	87.4	(3.440)	BA-86/2	BA-86/3	BA-86/4	BA-86/5	BA-86/6
3. 1/2	12 - 16	(.109 - .065)	3. 3/4	4	(.238)	79.4	(3.125)	89.0	(3.503)	BA-87/2	BA-87/3	BA-87/4	BA-87/5	BA-87/6
4	2	(.284)	3. 3/4	5 & 6	(.220 & .203)	81.0	(3.188)	90.6	(3.566)	BA-88/2	BA-88/3	BA-88/4	BA-88/5	BA-88/6
4	3	(.259)	3. 3/4	7 & 8	(.180 & .165)	82.6	(3.251)	92.2	(3.629)	BA-89/2	BA-89/3	BA-89/4	BA-89/5	BA-89/6
4	4	(.238)	3. 3/4	9 & 10	(.148 & .134)	84.2	(3.314)	93.8	(3.692)	BA-90/2	BA-90/3	BA-90/4	BA-90/5	BA-90/6
4	5 & 6	(.220 & .203)	3. 3/4	11 - 13	(.120 - .095)	85.8	(3.377)	96.2	(3.787)	BA-91/2	BA-91/3	BA-91/4	BA-91/5	BA-91/6
4	7 & 8	(.180 & .165)	4. 1/4	14 - 16	(.083 - .065)	87.4	(3.440)	97.8	(3.850)	BA-92/2	BA-92/3	BA-92/4	BA-92/5	BA-92/6
4	9 - 11	(.148 - .120)	4. 1/4	2	(.084)	89.0	(3.503)	99.4	(3.913)	BA-93/2	BA-93/3	BA-93/4	BA-93/5	BA-93/6
4	12 - 16	(.109 - .065)	4. 1/4	3	(.284)	90.4	(3.559)	100.8	(3.968)	BA-94/2	BA-94/3	BA-94/4	BA-94/5	BA-94/6
4	4	(.238)	4. 1/4	4	(.238)	92.0	(3.622)	102.4	(4.031)	BA-95/2	BA-95/3	BA-95/4	BA-95/5	BA-95/6
4	5 & 6	(.220 & .203)	4. 1/4	5 & 6	(.220 & .203)	93.4	(3.677)	103.8	(4.086)	BA-96/2	BA-96/3	BA-96/4	BA-96/5	BA-96/6
4. 1/2	2	(.284)	4. 1/4	7 & 8	(.180 & .165)	95.0	(3.740)	105.4	(4.149)	BA-97/2	BA-97/3	BA-97/4	BA-97/5	BA-97/6
4. 1/2	3	(.259)	4. 1/4	9 - 11	(.148 - .120)	96.6	(3.803)	107.0	(4.212)	BA-98/2	BA-98/3	BA-98/4	BA-98/5	BA-98/6
4. 1/2	4 & 5	(.238 & .220)	4. 1/4	11 - 13	(.120 - .095)	98.2	(3.866)	108.6	(4.275)	BA-99/2	BA-99/3	BA-99/4	BA-99/5	BA-99/6
4. 1/2	6 & 7	(.203 & .180)				101.2	(3.984)	110.0	(4.330)	BA-100/2	BA-100/3	BA-100/4	BA-100/5	BA-100/6
4. 1/2	8 & 9	(.165 & .148)				102.8	(4.047)	111.6	(4.393)	BA-101/2	BA-101/3	BA-101/4	BA-101/5	BA-101/6
4. 1/2	10 - 12	(.134 - .109)				104.4	(4.110)	113.2	(4.456)	BA-102/2	BA-102/3	BA-102/4	BA-102/5	BA-102/6

BOILER TUBE EXPANDER



PARALLEL TYPE 'BA' - 3 PLAIN ROLLERS

Tube O. D.
7/8" - 4.1/2"



SPARE ROLLERS SET MODEL NUMBER					SPARE MANDREL MODEL NUMBER			
TUBE SHEET THICKNESS RANGE					MANDREL SIZE inch	DRUM TYPE	HEADER TYPE	SHORT SERIES
1/2" TO 7/8"	3/4" TO 1. 1/8"	1. 1/8" TO 1. 5/8"	1. 5/8" TO 2. 1/8"	2. 1/8" TO 2. 5/8"				
2	3	4	5	6	<<< Tube Sheet Thickness Codes			
43-2-RS 44-2-RS 43-2-RS	43-3-RS 44-3-RS 43-3-RS	43-4-RS 44-4-RS 43-4-RS	43-5-RS 44-5-RS 43-5-RS	43-6-RS 44-6-RS 43-6-RS	3/4 3/4 3/4	BDM-23 BDM-23 BDM-24	BHM-23 BHM-23 BHM-24	SM-23 SM-23 SM-24
44-2-RS 45-2-RS 47-2-RS	44-3-RS 45-3-RS 47-3-RS	44-4-RS 45-4-RS 47-4-RS	44-5-RS 45-5-RS 47-5-RS	44-6-RS 45-6-RS 47-6-RS	3/4 3/4 3/4	BDM-24 BDM-24 BDM-24	BHM-24 BHM-24 BHM-24	SM-24 SM-24 SM-24
46-2-RS 47-2-RS 48-2-RS	46-3-RS 47-3-RS 48-3-RS	46-4-RS 47-4-RS 48-4-RS	46-5-RS 47-5-RS 48-5-RS	46-6-RS 47-6-RS 48-6-RS	1 1 1	BDM-25 BDM-25 BDM-25	BHM-25 BHM-25 BHM-25	SM-25 SM-25 SM-25
49-2-RS 50-2-RS 51-2-RS	49-3-RS 50-3-RS 51-3-RS	49-4-RS 50-4-RS 51-4-RS	49-5-RS 50-5-RS 51-5-RS	49-6-RS 50-6-RS 51-6-RS	1 1 1	BDM-25 BDM-25 BDM-25	BHM-25 BHM-25 BHM-25	SM-25 SM-25 SM-25
52-2-RS 51-2-RS 52-2-RS	52-3-RS 51-3-RS 52-3-RS	52-4-RS 51-4-RS 52-4-RS	52-5-RS 51-5-RS 52-5-RS	52-6-RS 51-6-RS 52-6-RS	1 1 1	BDM-25 BDM-26 BDM-26	BHM-25 BHM-26 BHM-26	SM-25 SM-26 SM-26
53-2-RS 54-2-RS 54-2-RS	53-3-RS 54-3-RS 54-3-RS	53-4-RS 54-4-RS 54-4-RS	53-5-RS 54-5-RS 54-5-RS	53-6-RS 54-6-RS 54-6-RS	1 1 1	BDM-26 BDM-26 BDM-27	BHM-26 BHM-26 BHM-27	SM-26 SM-26 SM-27
55-2-RS 56-2-RS 57-2-RS	55-3-RS 56-3-RS 57-3-RS	55-4-RS 56-4-RS 57-4-RS	55-5-RS 56-5-RS 57-5-RS	55-6-RS 56-6-RS 57-6-RS	1 1 1	BDM-27 BDM-27 BDM-27	BHM-27 BHM-27 BHM-27	SM-27 SM-27 SM-27
58-2-RS 59-2-RS 60-2-RS	58-3-RS 59-3-RS 60-3-RS	58-4-RS 59-4-RS 60-4-RS	58-5-RS 59-5-RS 60-5-RS	58-6-RS 59-6-RS 60-6-RS	1 1 1	BDM-27 BDM-27 BDM-27	BHM-27 BHM-27 BHM-27	BSM-27 BSM-27 BSM-27
59-2-RS 60-2-RS 61-2-RS	59-3-RS 60-3-RS 61-3-RS	59-4-RS 60-4-RS 61-4-RS	59-5-RS 60-5-RS 61-5-RS	59-6-RS 60-6-RS 61-6-RS	1 1 1	BDM-28 BDM-28 BDM-28	BHM-28 BHM-28 BHM-28	BSM-28 BSM-28 BSM-28
62-2-RS 63-2-RS 62-2-RS	62-3-RS 63-3-RS 62-3-RS	62-4-RS 63-4-RS 62-4-RS	62-5-RS 63-5-RS 62-5-RS	62-6-RS 63-6-RS 62-6-RS	1 1 1	BDM-28 BDM-28 BDM-29	BHM-28 BHM-28 BHM-29	BSM-28 BSM-28 BSM-29
63-2-RS 64-2-RS 63-2-RS	63-3-RS 64-3-RS 63-3-RS	63-4-RS 64-4-RS 63-4-RS	63-5-RS 64-5-RS 63-5-RS	63-6-RS 64-6-RS 63-6-RS	1 1 1	BDM-29 BDM-29 BDM-30	BHM-29 BHM-29 BHM-30	BSM-29 BSM-29 BSM-30
64-2-RS 65-2-RS 66-2-RS	64-3-RS 65-3-RS 66-3-RS	64-4-RS 65-4-RS 66-4-RS	64-5-RS 65-5-RS 66-5-RS	64-6-RS 65-6-RS 66-6-RS	1 1 1	BDM-30 BDM-30 BDM-30	BHM-30 BHM-30 BHM-30	BSM-30 BSM-30 BSM-30

BOILER TUBE EXPANDER

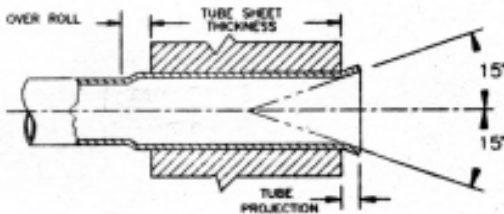


Tube O. D.
7/8"- 4.1/2"

FLARE TYPE 'BAF3' - 3 PLAIN & 3 FLARE ROLLERS

FEATURES:

- Time tested, durable design.
- Sturdy construction with rolls self contained in cage.
- Best 'Value for Money' tool in the world when parallel rolling tubes.
- Use - Economical tool used for applications where tubes are to be expanded with flaring.



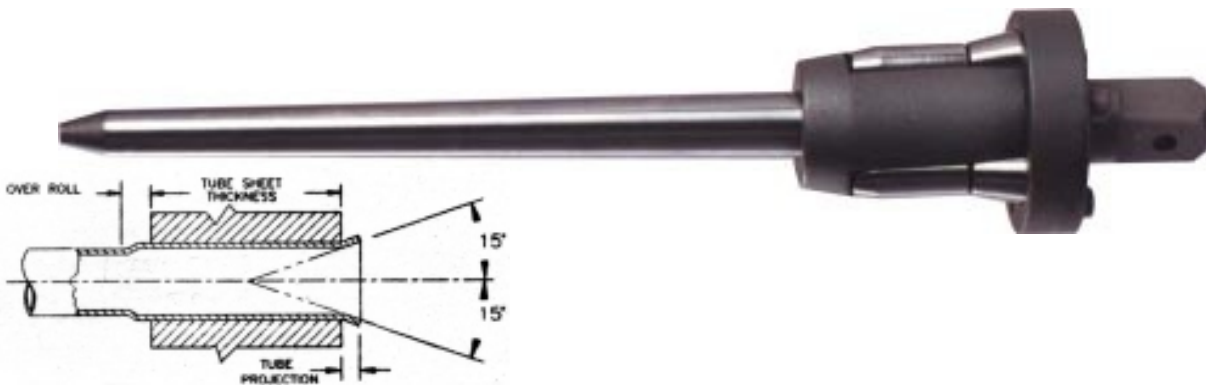
TUBE SIZE			TUBE SIZE			MIN. I. D. TUBE TOOL ENTERS		MAX. EXPANSION OF TOOL		TUBE EXPANDER MODEL NUMBER				
O.D. inch	THK. GA.	THK. inch	O.D. inch	THK. GA.	THK. inch	Mm	Inch	Mm	Inch	TUBE SHEET THICKNESS RANGE				
										1/2" TO 7/8"	3/4" TO 1. 1/8"	1. 1/8" TO 1. 5/8"	1. 5/8" TO 2. 1/8"	2. 1/8" TO 2. 5/8"
Tube Sheet Thickness Codes >>>										2	3	4	5	6
7/8	15	(.072)	1	10	(.134)	18.1	(.712)	20.4	(.803)	BF3-31/2	BF3-31/3	-	-	-
7/8	16	(.065)				18.4	(.724)	20.7	(.814)	BF3-32/2	AF3-32/3	-	-	-
7/8	17	(.058)	1	11	(.120)	18.8	(.740)	21.1	(.830)	BF3-33/2	AF3-33/3	-	-	-
7/8	18	(.049)	1	12	(.109)	19.4	(.763)	21.6	(.850)	AF3-34/2	AF3-34/3	-	-	-
7/8	19 & 20	(.042 & .035)	1. 1/8	8	(.165)	19.7	(.775)	22.3	(.877)	AF3-35/2	AF3-35/3	-	-	-
1	13	(.095)				20.1	(.791)	22.4	(.881)	AF3-36/2	AF3-36/3	-	-	-
1	14	(.083)	1. 1/8	9	(.148)	20.6	(.811)	23.1	(.909)	AF3-37/2	AF3-37/3	AF3-37/4	-	-
1	15 & 16	(.072 & .065)	1. 1/8	10	(.134)	21.3	(.838)	23.8	(.937)	AF3-38/2	AF3-38/3	AF3-38/4	-	-
1	17 & 18	(.058 & .048)	1. 1/8	11	(.120)	22.0	(.866)	24.5	(.964)	AF3-39/2	AF3-39/3	AF3-39/4	-	-
1	19 & 20	(.042 & .035)	1. 1/8	12	(.109)	22.4	(.881)	25.0	(.984)	AF3-40/2	AF3-40/3	AF3-40/4	-	-
1. 1/4	8	(.165)	1. 1/8	13	(.095)	23.3	(.917)	25.9	(1.019)	AF3-41/2	AF3-41/3	AF3-41/4	-	-
1. 1/4	9	(.148)	1. 1/8	14	(.083)	23.8	(.937)	26.5	(1.043)	AF3-42/2	AF3-42/3	AF3-42/4	-	-
1. 1/4	10	(.134)	1. 1/8	15 & 16	(.072 & .065)	24.4	(.960)	27.2	(1.070)	AF3-43/2	AF3-43/3	AF3-43/4	-	-
1. 1/4	11	(.120)				25.2	(.992)	28.0	(1.102)	AF3-44/2	AF3-44/3	AF3-44/4	-	-
1. 1/4	12	(.109)				25.7	(1.011)	28.5	(1.122)	AF3-45/2	AF3-45/3	AF3-45/4	-	-
1. 1/4	13	(.095)	1. 3/8	8	(.165)	26.1	(1.027)	28.8	(1.133)	AF3-46/2	AF3-46/3	AF3-46/4	-	-
1. 1/4	14	(.083)				26.4	(1.039)	29.2	(1.149)	AF3-47/2	AF3-47/3	AF3-47/4	-	-
1. 1/4	15	(.072)	1. 3/8	9	(.148)	26.9	(1.059)	29.7	(1.169)	AF3-48/2	AF3-48/3	AF3-48/4	-	-
1. 1/4	16	(.065)	1. 3/8	10	(.134)	27.6	(1.086)	30.4	(1.196)	AF3-49/2	AF3-49/3	AF3-49/4	AF3-49/5	AF3-49/6
1. 1/2	7	(.180)	1. 3/8	11	(.120)	28.3	(1.114)	31.2	(1.228)	AF3-50/2	AF3-50/3	AF3-50/4	AF3-50/5	AF3-50/6
1. 1/2	8	(.165)	1. 3/8	12	(.109)	28.8	(1.133)	31.7	(1.248)	AF3-51/2	AF3-51/3	AF3-51/4	AF3-51/5	AF3-51/6
1. 1/2	9	(.148)	1. 3/8	13 & 14	(.095 & .083)	29.5	(1.161)	33.4	(1.314)	AF3-52/2	AF3-52/3	AF3-52/4	AF3-52/5	AF3-52/6
1. 1/2	10	(.134)	1. 3/8	15 & 16	(.072 & .065)	30.0	(1.181)	34.1	(1.342)	AF3-53/2	AF3-53/3	AF3-53/4	AF3-53/5	AF3-53/6
1. 1/2	11 & 12	(.120 & .109)				30.6	(1.204)	34.8	(1.370)	AF3-54/2	AF3-54/3	AF3-54/4	AF3-54/5	AF3-54/6
1. 1/2	13	(.095)	1. 3/4	5	(.220)	31.4	(1.236)	35.6	(1.401)	AF3-55/2	AF3-55/3	AF3-55/4	AF3-55/5	AF3-55/6
1. 1/2	14 & 15	(.083 & .072)	1. 3/4	6	(.203)	32.6	(1.283)	36.8	(1.448)	AF3-56/2	AF3-56/3	AF3-56/4	AF3-56/5	AF3-56/6
			1. 3/4	7	(.180)	33.4	(1.314)	38.1	(1.500)	AF3-57/2	AF3-57/3	AF3-57/4	AF3-57/5	AF3-57/6
2	3	(.259)	1. 3/4	8	(.165)	34.2	(1.346)	38.7	(1.523)	AF3-58/2	AF3-58/3	AF3-58/4	AF3-58/5	AF3-58/6
2	4	(.238)	1. 3/4	9 & 10	(.148 & .134)	35.0	(1.377)	40.6	(1.598)	AF3-59/2	AF3-59/3	AF3-59/4	AF3-59/5	AF3-59/6
			1. 3/4	11 & 12	(.120 & .109)	36.6	(1.440)	42.2	(1.661)	AF3-60/2	AF3-60/3	AF3-60/4	AF3-60/5	AF3-60/6
2	5 & 6	(.220 & .203)	1. 3/4	13 & 14	(.095 & .083)	38.2	(1.503)	43.8	(1.712)	AF3-61/2	AF3-61/3	AF3-61/4	AF3-61/5	AF3-61/6
2	7 & 8	(.180 & .165)	1. 3/4	15 & 16	(.072 & .065)	39.8	(1.566)	45.4	(1.787)	AF3-62/2	AF3-62/3	AF3-62/4	AF3-62/5	AF3-62/6
2	9 & 10	(.148 & .134)	2. 1/4	3	(.259)	41.4	(1.629)	47.0	(1.850)	AF3-63/2	AF3-63/3	AF3-63/4	AF3-63/5	AF3-63/6
2	11 - 13	(.120 - .095)	2. 1/4	4	(.238)	42.9	(1.688)	49.5	(1.948)	AF3-64/2	AF3-64/3	AF3-64/4	AF3-64/5	AF3-64/6
2	14 - 16	(.083 - .065)	2. 1/4	6 & 7	(.203 & .180)	44.5	(1.751)	51.1	(2.011)	AF3-65/2	AF3-65/3	AF3-65/4	AF3-65/5	AF3-65/6
2	17 & 18	(.058 & .049)	2. 1/4	8 & 9	(.165 & .148)	46.1	(1.814)	52.7	(2.074)	AF3-66/2	AF3-66/3	AF3-66/4	AF3-66/5	AF3-66/6

BOILER TUBE EXPANDER



FLARE TYPE 'BAF3' - 3 PLAIN & 3 FLARE ROLLERS

Tube O. D.
7/8"- 4.1/2"



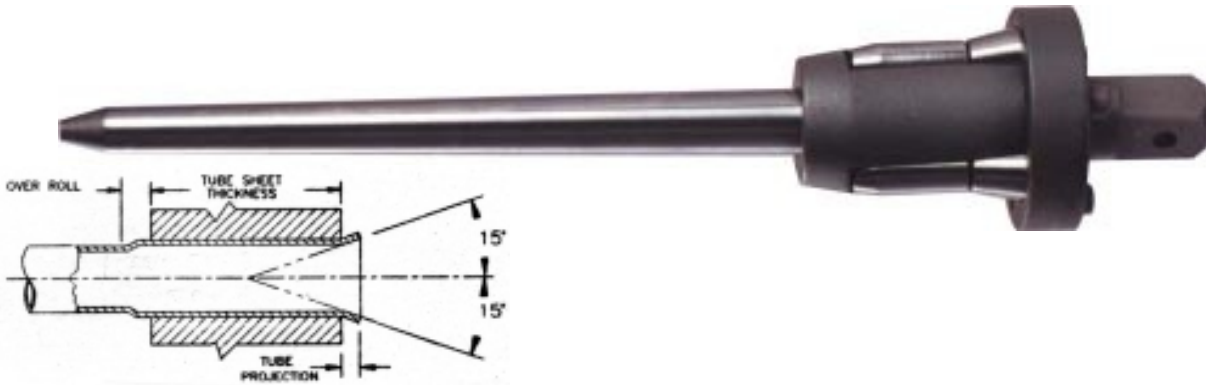
SPARE ROLLERS SET MODEL NUMBER					SPARE MANDREL MODEL NUMBER			
TUBE SHEET THICKNESS RANGE					MANDREL SIZE inch	DRUM TYPE	HEADER TYPE	SHORT SERIES
1/2" TO 7/8"	3/4" TO 1. 1/8"	1. 1/8" TO 1. 5/8"	1. 5/8" TO 2. 1/8"	2. 1/8" TO 2. 5/8"				
2	3	4	5	6	<<< Tube Sheet Thickness Codes			
15-2-F3S	15-3-F3S	-	-	-	3/8	BDM-11	-	-
15-2-F3S	15-3-F3S	-	-	-	3/8	BDM-12	-	-
16-2-F3S	16-3-F3S	-	-	-	3/8	BDM-12	-	-
20-2-F3S	20-3-F3S	-	-	-	3/8	BDM-12	-	-
17-2-F3S	17-3-F3S	-	-	-	3/8	BDM-13	-	-
18-2-F3S	18-3-F3S	-	-	-	3/8	BDM-12	-	-
18-2-F3S	18-3-F3S	18-4-F3S	-	-	3/8	BDM-13	BHM-13	BSM-13
19-2-F3S	19-3-F3S	19-4-F3S	-	-	3/8	BDM-13	BHM-13	BSM-13
21-2-F3S	21-3-F3S	21-4-F3S	-	-	3/8	BDM-13	BHM-13	BSM-13
21-2-F3S	21-3-F3S	21-4-F3S	-	-	3/8	BDM-14	BHM-14	BSM-14
22-2-F3S	22-3-F3S	22-4-F3S	-	-	3/8	BDM-14	BHM-14	BSM-14
23-2-F3S	23-3-F3S	23-4-F3S	-	-	1/2	BDM-15	BHM-15	BSM-15
24-2-F3S	24-3-F3S	24-4-F3S	-	-	1/2	BDM-15	BHM-15	BSM-15
26-2-F3S	26-3-F3S	26-4-F3S	-	-	1/2	BDM-16	BHM-16	BSM-16
27-2-F3S	27-3-F3S	27-4-F3S	-	-	1/2	BDM-16	BHM-16	BSM-16
31-2-F3S	31-3-F3S	31-4-F3S	-	-	1/2	BDM-16	BHM-16	BSM-16
28-2-F3S	28-3-F3S	28-4-F3S	-	-	1/2	BDM-17	BHM-17	BSM-17
29-2-F3S	29-3-F3S	29-4-F3S	-	-	1/2	BDM-17	BHM-17	BSM-17
30-2-F3S	30-3-F3S	30-4-F3S	30-5-F3S	30-6-F3S	1/2	BDM-17	BHM-17	BSM-17
30-2-F3S	30-3-F3S	30-4-F3S	30-5-F3S	30-6-F3S	1/2	BDM-18	BHM-18	BSM-18
32-2-F3S	32-3-F3S	32-4-F3S	32-5-F3S	32-6-F3S	1/2	BDM-18	BHM-18	BSM-18
28-2-F3S	28-3-F3S	28-4-F3S	28-5-F3S	28-6-F3S	1/2	BDM-20	BHM-20	BSM-20
29-2-F3S	29-3-F3S	29-4-F3S	29-5-F3S	29-6-F3S	1/2	BDM-20	BHM-20	BSM-20
30-2-F3S	30-3-F3S	30-4-F3S	30-5-F3S	30-6-F3S	1/2	BDM-20	BHM-20	BSM-20
33-2-F3S	33-3-F3S	33-4-F3S	33-5-F3S	33-6-F3S	1/2	BDM-20	BHM-20	BSM-20
34-2-F3S	34-3-F3S	34-4-F3S	34-5-F3S	34-6-F3S	1/2	BDM-21	BHM-21	BSM-21
36-2-F3S	36-3-F3S	36-4-F3S	36-5-F3S	36-6-F3S	1/2	BDM-21	BHM-21	BSM-21
37-2-F3S	37-3-F3S	37-4-F3S	37-5-F3S	37-6-F3S	1/2	BDM-21	BHM-21	BSM-21
33-2-F3S	33-3-F3S	33-4-F3S	33-5-F3S	33-6-F3S	3/4	BDM-22	BHM-22	BSM-22
37-2-F3S	37-3-F3S	37-4-F3S	37-5-F3S	37-6-F3S	3/4	BDM-22	BHM-22	BSM-22
38-2-F3S	38-3-F3S	38-4-F3S	38-5-F3S	38-6-F3S	3/4	BDM-22	BHM-22	BSM-22
39-2-F3S	39-3-F3S	39-4-F3S	39-5-F3S	39-6-F3S	3/4	BDM-22	BHM-22	BSM-22
40-2-F3S	40-3-F3S	40-4-F3S	40-5-F3S	40-6-F3S	3/4	BDM-22	BHM-22	BSM-22
40-2-F3S	40-3-F3S	40-4-F3S	40-5-F3S	40-6-F3S	3/4	BDM-23	BHM-23	BSM-23
41-2-F3S	41-3-F3S	41-4-F3S	41-5-F3S	41-6-F3S	3/4	BDM-23	BHM-23	BSM-23
42-2-F3S	42-3-F3S	42-4-F3S	42-5-F3S	42-6-F3S	3/4	BDM-23	BHM-23	BSM-23

BOILER TUBE EXPANDER



FLARE TYPE 'BAF3' - 3 PLAIN & 3 FLARE ROLLERS

Tube O. D.
7/8" - 4.1/2"



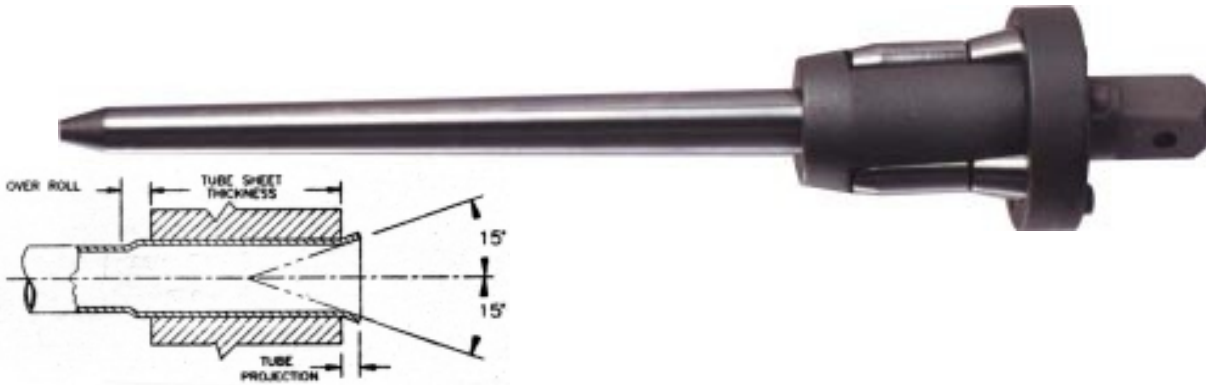
TUBE SIZE			TUBE SIZE			MIN. I. D. TUBE TOOL ENTERS		MAX. EXPANSION OF TOOL		TUBE EXPANDER MODEL NUMBER				
O.D. inch	THK. GA.	THK. inch	O.D. inch	THK. GA.	THK. inch	Mm	Inch	Mm	Inch	TUBE SHEET THICKNESS RANGE				
										1/2" TO 7/8"	3/4" TO 1. 1/8"	1. 1/8" TO 1. 5/8"	1. 5/8" TO 2. 1/8"	2. 1/8" TO 2. 5/8"
Tube Sheet Thickness Codes >>>										2	3	4	5	6
2. 1/2	3	(.259)	2. 1/4	10 & 11	(.134 & .120)	47.7	(1.877)	54.3	(2.137)	BAF3-67/2	BAF3-67/3	BAF3-67/4	BAF3-67/5	BAF3-67/6
2. 1/2	4 & 5	(.238 & .220)	2. 1/4	12 & 13	(.109 & .095)	49.3	(1.940)	55.9	(2.200)	BAF3-68/2	BAF3-68/3	BAF3-68/4	BAF3-68/5	BAF3-68/6
2. 1/2	6 & 7	(.203 & .180)	2. 1/4	14 - 16	(.083 - .065)	50.8	(2.000)	57.8	(2.275)	BAF3-69/2	BAF3-69/3	BAF3-69/4	BAF3-69/5	BAF3-69/6
2. 1/2	8 & 9	(.165 & .148)	2. 3/4	3	(.259)	52.4	(2.062)	59.4	(2.338)	BAF3-70/2	BAF3-70/3	BAF3-70/4	BAF3-70/5	BAF3-70/6
2. 1/2	10 & 11	(.134 & .120)	2. 3/4	4	(.238)	54.0	(2.125)	61.0	(2.401)	BAF3-71/2	BAF3-71/3	BAF3-71/4	BAF3-71/5	BAF3-71/6
2. 1/2	12 - 14	(.109 - .083)	2. 3/4	5 & 6	(.220 & .203)	55.6	(2.188)	64.0	(2.519)	BAF3-72/2	BAF3-72/3	BAF3-72/4	BAF3-72/5	BAF3-72/6
2. 1/2	15 & 16	(.072 & .065)	2. 3/4	7 & 8	(.180 & .165)	57.2	(2.251)	65.6	(2.582)	BAF3-73/2	BAF3-73/3	BAF3-73/4	BAF3-73/5	BAF3-73/6
3	3	(.259)	2. 3/4	9 & 10	(.148 & .134)	58.6	(2.307)	67.0	(2.637)	BAF3-74/2	BAF3-74/3	BAF3-74/4	BAF3-74/5	BAF3-74/6
3	4	(.238)	2. 3/4	11 - 13	(.120 - .095)	60.4	(2.377)	68.8	(2.708)	BAF3-75/2	BAF3-75/3	BAF3-75/4	BAF3-75/5	BAF3-75/6
3	5 & 6	(.220 & .203)	2. 3/4	14 - 16	(.083 - .065)	62.2	(2.448)	70.4	(2.771)	BAF3-76/2	BAF3-76/3	BAF3-76/4	BAF3-76/5	BAF3-76/6
3	7 & 8	(.180 & .165)	3. 1/4	3	(.259)	63.6	(2.503)	72.0	(2.834)	BAF3-77/2	BAF3-77/3	BAF3-77/4	BAF3-77/5	BAF3-77/6
3	9 & 10	(.148 & .134)	3. 1/4	3	(.259)	65.0	(2.559)	73.4	(2.889)	BAF3-78/2	BAF3-78/3	BAF3-78/4	BAF3-78/5	BAF3-78/6
3	11 - 13	(.120 - .095)	3. 1/4	4	(.238)	66.6	(2.622)	75.0	(2.952)	BAF3-79/2	BAF3-79/3	BAF3-79/4	BAF3-79/5	BAF3-79/6
3	14 - 16	(.083 - .065)	3. 1/4	5 & 6	(.220 & .203)	68.3	(2.688)	76.9	(3.027)	BAF3-80/2	BAF3-80/3	BAF3-80/4	BAF3-80/5	BAF3-80/6
3. 1/2	2	(.284)	3. 1/4	7 & 8	(.180 & .165)	69.9	(2.751)	78.5	(3.090)	BAF3-81/2	BAF3-81/3	BAF3-81/4	BAF3-81/5	BAF3-81/6
3. 1/2	3	(.259)	3. 1/4	9 & 10	(.148 & .134)	71.5	(2.814)	80.1	(3.153)	BAF3-82/2	BAF3-82/3	BAF3-82/4	BAF3-82/5	BAF3-82/6
3. 1/2	4	(.238)	3. 1/4	11 - 13	(.120 - .095)	73.1	(2.877)	81.7	(3.216)	BAF3-83/2	BAF3-83/3	BAF3-83/4	BAF3-83/5	BAF3-83/6
3. 1/2	5 & 6	(.220 & .203)	3. 1/4	14 - 16	(.083 - .065)	74.6	(2.937)	84.2	(3.314)	BAF3-84/2	BAF3-84/3	BAF3-84/4	BAF3-84/5	BAF3-84/6
3. 1/2	7 & 8	(.180 & .165)	3. 3/4	2	(.084)	76.2	(3.000)	85.5	(3.366)	BAF3-85/2	BAF3-85/3	BAF3-85/4	BAF3-85/5	BAF3-85/6
3. 1/2	9 - 11	(.148 - .120)	3. 3/4	3	(.259)	77.8	(3.062)	87.4	(3.440)	BAF3-86/2	BAF3-86/3	BAF3-86/4	BAF3-86/5	BAF3-86/6
3. 1/2	12 - 16	(.109 - .065)	3. 3/4	4	(.238)	79.4	(3.125)	89.0	(3.503)	BAF3-87/2	BAF3-87/3	BAF3-87/4	BAF3-87/5	BAF3-87/6
4	2	(.284)	3. 3/4	5 & 6	(.220 & .203)	81.0	(3.188)	90.6	(3.566)	BAF3-88/2	BAF3-88/3	BAF3-88/4	BAF3-88/5	BAF3-88/6
4	3	(.259)	3. 3/4	7 & 8	(.180 & .165)	82.6	(3.251)	92.2	(3.629)	BAF3-89/2	BAF3-89/3	BAF3-89/4	BAF3-89/5	BAF3-89/6
4	4	(.238)	3. 3/4	9 & 10	(.148 & .134)	84.2	(3.314)	93.8	(3.692)	BAF3-90/2	BAF3-90/3	BAF3-90/4	BAF3-90/5	BAF3-90/6
4	4	(.238)	3. 3/4	11 - 13	(.120 - .095)	85.8	(3.377)	96.2	(3.787)	BAF3-91/2	BAF3-91/3	BAF3-91/4	BAF3-91/5	BAF3-91/6
4	5 & 6	(.220 & .203)	3. 3/4	14 - 16	(.083 - .065)	87.4	(3.440)	97.8	(3.850)	BAF3-92/2	BAF3-92/3	BAF3-92/4	BAF3-92/5	BAF3-92/6
4	7 & 8	(.180 & .165)	4. 1/4	2		89.0	(3.503)	99.4	(3.913)	BAF3-93/2	BAF3-93/3	BAF3-93/4	BAF3-93/5	BAF3-93/6
4	9 - 11	(.148 - .120)	4. 1/4	3	(.284)	90.4	(3.559)	100.8	(3.968)	BAF3-94/2	BAF3-94/3	BAF3-94/4	BAF3-94/5	BAF3-94/6
4	12 - 16	(.109 - .065)	4. 1/4	4	(.238)	92.0	(3.622)	102.4	(4.031)	BAF3-95/2	BAF3-95/3	BAF3-95/4	BAF3-95/5	BAF3-95/6
			4. 1/4	5 & 6	(.220 & .203)	93.4	(3.677)	103.8	(4.086)	BAF3-96/2	BAF3-96/3	BAF3-96/4	BAF3-96/5	BAF3-96/6
4. 1/2	2	(.284)	4. 1/4	7 & 8	(.180 & .165)	95.0	(3.740)	105.4	(4.149)	BAF3-97/2	BAF3-97/3	BAF3-97/4	BAF3-97/5	BAF3-97/6
4. 1/2	3	(.259)	4. 1/4	9 - 11	(.148 - .120)	96.6	(3.803)	107.0	(4.212)	BAF3-98/2	BAF3-98/3	BAF3-98/4	BAF3-98/5	BAF3-98/6
4. 1/2	4 & 5	(.238 & .220)	4. 1/4	11 - 13	(.120 - .095)	98.2	(3.866)	108.6	(4.275)	BAF3-99/2	BAF3-99/3	BAF3-99/4	BAF3-99/5	BAF3-99/6
4. 1/2	6 & 7	(.203 & .180)				101.2	(3.984)	110.0	(4.330)	BAF3-100/2	BAF3-100/3	BAF3-100/4	BAF3-100/5	BAF3-100/6
4. 1/2	8 & 9	(.165 & .148)				102.8	(4.047)	111.6	(4.393)	BAF3-101/2	BAF3-101/3	BAF3-101/4	BAF3-101/5	BAF3-101/6
4. 1/2	10 - 12	(.134 - .109)				104.4	(4.110)	113.2	(4.456)	BAF3-102/2	BAF3-102/3	BAF3-102/4	BAF3-102/5	BAF3-102/6

BOILER TUBE EXPANDER



FLARE TYPE 'BAF3' - 3 PLAIN & 3 FLARE ROLLERS

Tube O. D.
7/8" - 4.1/2"



SPARE ROLLERS SET MODEL NUMBER					SPARE MANDREL MODEL NUMBER			
TUBE SHEET THICKNESS RANGE					MANDREL SIZE inch	DRUM TYPE	HEADER TYPE	SHORT SERIES
1/2" TO 7/8"	3/4" TO 1. 1/8"	1. 1/8" TO 1. 5/8"	1. 5/8" TO 2. 1/8"	2. 1/8" TO 2. 5/8"				
2	3	4	5	6	<<< Tube Sheet Thickness Codes			
43-2-F3S 44-2-F3S 43-2-F3S	43-3-F3S 44-3-F3S 43-3-F3S	43-4-F3S 44-4-F3S 43-4-F3S	43-5-F3S 44-5-F3S 43-5-F3S	43-6-F3S 44-6-F3S 43-6-F3S	3/4 3/4 3/4	BDM-23 BDM-23 BDM-24	BHM-23 BHM-23 BHM-24	BSM-23 BSM-23 BSM-24
44-2-F3S 45-2-F3S 47-2-F3S	44-3-F3S 45-3-F3S 47-3-F3S	44-4-F3S 45-4-F3S 47-4-F3S	44-5-F3S 45-5-F3S 47-5-F3S	44-6-F3S 45-6-F3S 47-6-F3S	3/4 3/4 3/4	BDM-24 BDM-24 BDM-24	BHM-24 BHM-24 BHM-24	BSM-24 BSM-24 BSM-24
46-2-F3S 47-2-F3S 48-2-F3S	46-3-F3S 47-3-F3S 48-3-F3S	46-4-F3S 47-4-F3S 48-4-F3S	46-5-F3S 47-5-F3S 48-5-F3S	46-6-F3S 47-6-F3S 48-6-F3S	1 1 1	BDM-25 BDM-25 BDM-25	BHM-25 BHM-25 BHM-25	BSM-25 BSM-25 BSM-25
49-2-F3S 50-2-F3S 51-2-F3S	49-3-F3S 50-3-F3S 51-3-F3S	49-4-F3S 50-4-F3S 51-4-F3S	49-5-F3S 50-5-F3S 51-5-F3S	49-6-F3S 50-6-F3S 51-6-F3S	1 1 1	BDM-25 BDM-25 BDM-25	BHM-25 BHM-25 BHM-25	BSM-25 BSM-25 BSM-25
52-2-F3S 51-2-F3S 52-2-F3S	52-3-F3S 51-3-F3S 52-3-F3S	52-4-F3S 51-4-F3S 52-4-F3S	52-5-F3S 51-5-F3S 52-5-F3S	52-6-F3S 51-6-F3S 52-6-F3S	1 1 1	BDM-25 BDM-26 BDM-26	BHM-25 BHM-26 BHM-26	BSM-25 BSM-26 BSM-26
53-2-F3S 54-2-F3S 54-2-F3S	53-3-F3S 54-3-F3S 54-3-F3S	53-4-F3S 54-4-F3S 54-4-F3S	53-5-F3S 54-5-F3S 54-5-F3S	53-6-F3S 54-6-F3S 54-6-F3S	1 1 1	BDM-26 BDM-26 BDM-27	BHM-26 BHM-26 BHM-27	BSM-26 BSM-26 BSM-27
55-2-F3S 56-2-F3S 57-2-F3S	55-3-F3S 56-3-F3S 57-3-F3S	55-4-F3S 56-4-F3S 57-4-F3S	55-5-F3S 56-5-F3S 57-5-F3S	55-6-F3S 56-6-F3S 57-6-F3S	1 1 1	BDM-27 BDM-27 BDM-27	BHM-27 BHM-27 BHM-27	BSM-27 BSM-27 BSM-27
58-2-F3S 59-2-F3S 60-2-F3S	58-3-F3S 59-3-F3S 60-3-F3S	58-4-F3S 59-4-F3S 60-4-F3S	58-5-F3S 59-5-F3S 60-5-F3S	58-6-F3S 59-6-F3S 60-6-F3S	1 1 1	BDM-27 BDM-27 BDM-27	BHM-27 BHM-27 BHM-27	BSM-27 BSM-27 BSM-27
59-2-F3S 60-2-F3S 61-2-F3S	59-3-F3S 60-3-F3S 61-3-F3S	59-4-F3S 60-4-F3S 61-4-F3S	59-5-F3S 60-5-F3S 61-5-F3S	59-6-F3S 60-6-F3S 61-6-F3S	1 1 1	BDM-28 BDM-28 BDM-28	BHM-28 BHM-28 BHM-28	BSM-28 BSM-28 BSM-28
62-2-F3S 63-2-F3S 62-2-F3S	62-3-F3S 63-3-F3S 62-3-F3S	62-4-F3S 63-4-F3S 62-4-F3S	62-5-F3S 63-5-F3S 62-5-F3S	62-6-F3S 63-6-F3S 62-6-F3S	1 1 1	BDM-28 BDM-28 BDM-29	BHM-28 BHM-28 BHM-29	BSM-28 BSM-28 BSM-29
63-2-F3S 64-2-F3S 63-2-F3S	63-3-F3S 64-3-F3S 63-3-F3S	63-4-F3S 64-4-F3S 63-4-F3S	63-5-F3S 64-5-F3S 63-5-F3S	63-6-F3S 64-6-F3S 63-6-F3S	1 1 1	BDM-29 BDM-29 BDM-30	BHM-29 BHM-29 BHM-30	BSM-29 BSM-29 BSM-30
64-2-F3S 65-2-F3S 66-2-F3S	64-3-F3S 65-3-F3S 66-3-F3S	64-4-F3S 65-4-F3S 66-4-F3S	64-5-F3S 65-5-F3S 66-5-F3S	64-6-F3S 65-6-F3S 66-6-F3S	1 1 1	BDM-30 BDM-30 BDM-30	BHM-30 BHM-30 BHM-30	BSM-30 BSM-30 BSM-30

BOILER TUBE EXPANDER



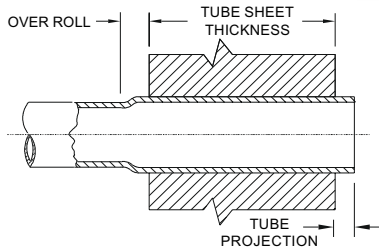
'BAB' SERIES

3 PLAIN ROLLER TUBE EXPANDER WITH THRUST BEARING

FEATURES:

- Its similar to BA series tube expander
- Bearing reduces frictional build up for smoother expanding cycles.
- Bearing increases useful life of tool.
- Use: This tool is most useful for high productivity where flaring of tubes is not needed.

Tube O. D.
7/8" - 4.1/2"



TUBE SIZE			TUBE SIZE			MIN. I.D. TUBE TOOL ENTERS		MAX. EXPANSION OF TOOLS		TUBE EXPANDER MODEL NUMBER				
O.D. inch	THK. GA.	THK. inch	O.D. inch	THK. GA.	THK. inch	Mm	Inch	Mm	Inch	TUBE SHEET THICKNESS RANGE				
										1/2" TO 7/8"	3/4" TO 1. 1/8"	1. 1/8" TO 1. 5/8"	1. 5/8" TO 2. 1/8"	2. 1/8" TO 2. 5/8"
Tube Sheet Thickness Codes >>>										2	3	4	5	6
7/8	15	(.072)	1	10	(.134)	18.1	(.712)	20.4	(.803)	BAB-31/2	BAB-31/3	-	-	-
7/8	16	(.065)				18.4	(.724)	20.7	(.814)	BAB-32/2	BAB-32/3	-	-	-
7/8	17	(.058)	1	11	(.120)	18.8	(.740)	21.1	(.830)	BAB-33/2	BAB-33/3	-	-	-
7/8	18	(.049)	1	12	(.109)	19.4	(.763)	21.6	(.850)	BAB-34/2	BAB-34/3	-	-	-
7/8	19 & 20	(.042 & .035)	1. 1/8	8	(.165)	19.7	(.775)	22.3	(.877)	BAB-35/2	BAB-35/3	-	-	-
1	13	(.095)				20.1	(.791)	22.4	(.881)	BAB-36/2	BAB-36/3	-	-	-
1	14	(.083)	1. 1/8	9	(.148)	20.6	(.811)	23.1	(.909)	BAB-37/2	BAB-37/3	BAB-37/4	-	-
1	15 & 16	(.072 & .065)	1. 1/8	10	(.134)	21.3	(.838)	23.8	(.937)	BAB-38/2	BAB-38/3	BAB-38/4	-	-
1	17 & 18	(.058 & .048)	1. 1/8	11	(.120)	22.0	(.866)	24.5	(.964)	BAB-39/2	BAB-39/3	BAB-39/4	-	-
1	19 & 20	(.042 & .035)	1. 1/8	12	(.109)	22.4	(.881)	25.0	(.984)	BAB-40/2	BAB-40/3	BAB-40/4	-	-
1. 1/4	8	(.165)	1. 1/8	13	(.095)	23.3	(.917)	25.9	(1.019)	BAB-41/2	BAB-41/3	BAB-41/4	-	-
1. 1/4	9	(.148)	1. 1/8	14	(.083)	23.8	(.937)	26.5	(1.043)	BAB-42/2	BAB-42/3	BAB-42/4	-	-
1. 1/4	10	(.134)	1. 1/8	15 & 16	(.072 & .065)	24.4	(.960)	27.2	(1.070)	BAB-43/2	BAB-43/3	BAB-43/4	-	-
1. 1/4	11	(.120)				25.2	(.992)	28.0	(1.102)	BAB-44/2	BAB-44/3	BAB-44/4	-	-
1. 1/4	12	(.109)				25.7	(1.011)	28.5	(1.122)	BAB-45/2	BAB-45/3	BAB-45/4	-	-
1. 1/4	13	(.095)	1. 3/8	8	(.165)	26.1	(1.027)	28.8	(1.133)	BAB-46/2	BAB-46/3	BAB-46/4	-	-
1. 1/4	14	(.083)				26.4	(1.039)	29.2	(1.149)	BAB-47/2	BAB-47/3	BAB-47/4	-	-
1. 1/4	15	(.072)	1. 3/8	9	(.148)	26.9	(1.059)	29.7	(1.169)	BAB-48/2	BAB-48/3	BAB-48/4	-	-
1. 1/4	16	(.065)	1. 3/8	10	(.134)	27.6	(1.086)	30.4	(1.196)	BAB-49/2	BAB-49/3	BAB-49/4	BAB-49/5	BAB-49/6
1. 1/2	7	(.180)	1. 3/8	11	(.120)	28.3	(1.114)	31.2	(1.228)	BAB-50/2	BAB-50/3	BAB-50/4	BAB-50/5	BAB-50/6
1. 1/2	8	(.165)	1. 3/8	12	(.109)	28.8	(1.133)	31.7	(1.248)	BAB-51/2	BAB-51/3	BAB-51/4	BAB-51/5	BAB-51/6
1. 1/2	9	(.148)	1. 3/8	13 & 14	(.095 & .083)	29.5	(1.161)	33.4	(1.314)	BAB-52/2	BAB-52/3	BAB-52/4	BAB-52/5	BAB-52/6
1. 1/2	10	(.134)	1. 3/8	15 & 16	(.072 & .065)	30.0	(1.181)	34.1	(1.342)	BAB-53/2	BAB-53/3	BAB-53/4	BAB-53/5	BAB-53/6
1. 1/2	11 & 12	(.120 & .109)				30.6	(1.204)	34.8	(1.370)	BAB-54/2	BAB-54/3	BAB-54/4	BAB-54/5	BAB-54/6
1. 1/2	13	(.095)	1. 3/4	5	(.220)	31.4	(1.236)	35.6	(1.401)	BAB-55/2	BAB-55/3	BAB-55/4	BAB-55/5	BAB-55/6
1. 1/2	14 & 15	(.083 & .072)	1. 3/4	6	(.203)	32.6	(1.283)	36.8	(1.448)	BAB-56/2	BAB-56/3	BAB-56/4	BAB-56/5	BAB-56/6
			1. 3/4	7	(.180)	33.4	(1.314)	38.1	(1.500)	BAB-57/2	BAB-57/3	BAB-57/4	BAB-57/5	BAB-57/6
			1. 3/4	8	(.165)	34.2	(1.346)	38.7	(1.523)	BAB-58/2	BAB-58/3	BAB-58/4	BAB-58/5	BAB-58/6
2	3	(.259)	1. 3/4	9 & 10	(.148 & .134)	35.0	(1.377)	40.6	(1.598)	BAB-59/2	BAB-59/3	BAB-59/4	BAB-59/5	BAB-59/6
2	4	(.238)	1. 3/4	11 & 12	(.120 & .109)	36.6	(1.440)	42.2	(1.661)	BAB-60/2	BAB-60/3	BAB-60/4	BAB-60/5	BAB-60/6
2	5 & 6	(.220 & .203)	1. 3/4	13 & 14	(.095 & .083)	38.2	(1.503)	43.8	(1.712)	BAB-61/2	BAB-61/3	BAB-61/4	BAB-61/5	BAB-61/6
2	7 & 8	(.180 & .165)	1. 3/4	15 & 16	(.072 & .065)	39.8	(1.566)	45.4	(1.787)	BAB-62/2	BAB-62/3	BAB-62/4	BAB-62/5	BAB-62/6
2	9 & 10	(.148 & .134)	2. 1/4	3	(.259)	41.4	(1.629)	47.0	(1.850)	BAB-63/2	BAB-63/3	BAB-63/4	BAB-63/5	BAB-63/6
2	11 - 13	(.120 - .095)	2. 1/4	4	(.238)	42.9	(1.688)	49.5	(1.948)	BAB-64/2	BAB-64/3	BAB-64/4	BAB-64/5	BAB-64/6
2	14 - 16	(.083 - .065)	2. 1/4	6 & 7	(.203 & .180)	44.5	(1.751)	51.1	(2.011)	BAB-65/2	BAB-65/3	BAB-65/4	BAB-65/5	BAB-65/6
2	17 & 18	(.058 & .049)	2. 1/4	8 & 9	(.165 & .148)	46.1	(1.814)	52.7	(2.074)	BAB-66/2	BAB-66/3	BAB-66/4	BAB-66/5	BAB-66/6

BOILER TUBE EXPANDER



'BAB' SERIES 3 PLAIN ROLLER TUBE EXPANDER WITH THRUST BEARING

Tube O. D.
7/8" - 4.1/2"



SPARE ROLLERS SET MODEL NUMBER					SPARE MANDREL MODEL NUMBER	
TUBE SHEET THICKNESS RANGE					MANDREL SIZE inch	DRUM TYPE
1/2" TO 7/8"	3/4" TO 1. 1/8"	1. 1/8" TO 1. 5/8"	1. 5/8" TO 2. 1/8"	2. 1/8" TO 2. 5/8"		
2	3	4	5	6	<<< Tube Sheet Thickness Codes	
15-2-RS	15-3-RS	-	-	-	3/8	DMB-11
15-2-RS	15-3-RS	-	-	-	3/8	DMB-12
16-2-RS	16-3-RS	-	-	-	3/8	DMB-12
20-2-RS	20-3-RS	-	-	-	3/8	DMB-12
17-2-RS	17-3-RS	-	-	-	3/8	DMB-13
18-2-RS	18-3-RS	-	-	-	3/8	DMB-12
18-2-RS	18-3-RS	18-4-RS	-	-	3/8	DMB-13
19-2-RS	19-3-RS	19-4-RS	-	-	3/8	DMB-13
21-2-RS	21-3-RS	21-4-RS	-	-	3/8	DMB-13
21-2-RS	21-3-RS	21-4-RS	-	-	3/8	DMB-14
22-2-RS	22-3-RS	22-4-RS	-	-	3/8	DMB-14
23-2-RS	23-3-RS	23-4-RS	-	-	1/2	DMB-15
24-2-RS	24-3-RS	24-4-RS	-	-	1/2	DMB-15
26-2-RS	26-3-RS	26-4-RS	-	-	1/2	DMB-16
27-2-RS	27-3-RS	27-4-RS	-	-	1/2	DMB-16
31-2-RS	31-3-RS	31-4-RS	-	-	1/2	DMB-16
28-2-RS	28-3-RS	28-4-RS	-	-	1/2	DMB-17
29-2-RS	29-3-RS	29-4-RS	-	-	1/2	DMB-17
30-2-RS	30-3-RS	30-4-RS	30-5-RS	30-6-RS	1/2	DMB-17
30-2-RS	30-3-RS	30-4-RS	30-5-RS	30-6-RS	1/2	DMB-18
32-2-RS	32-3-RS	32-4-RS	32-5-RS	32-6-RS	1/2	DMB-18
28-2-RS	28-3-RS	28-4-RS	28-5-RS	28-6-RS	1/2	DMB-20
29-2-RS	29-3-RS	29-4-RS	29-5-RS	29-6-RS	1/2	DMB-20
30-2-RS	30-3-RS	30-4-RS	30-5-RS	30-6-RS	1/2	DMB-20
33-2-RS	33-3-RS	33-4-RS	33-5-RS	33-6-RS	1/2	DMB-20
34-2-RS	34-3-RS	34-4-RS	34-5-RS	34-6-RS	1/2	DMB-21
36-2-RS	36-3-RS	36-4-RS	36-5-RS	36-6-RS	1/2	DMB-21
37-2-RS	37-3-RS	37-4-RS	37-5-RS	37-6-RS	1/2	DMB-21
33-2-RS	33-3-RS	33-4-RS	33-5-RS	33-6-RS	3/4	DMB-22
37-2-RS	37-3-RS	37-4-RS	37-5-RS	37-6-RS	3/4	DMB-22
38-2-RS	38-3-RS	38-4-RS	38-5-RS	38-6-RS	3/4	DMB-22
39-2-RS	39-3-RS	39-4-RS	39-5-RS	39-6-RS	3/4	DMB-22
40-2-RS	40-3-RS	40-4-RS	40-5-RS	40-6-RS	3/4	DMB-22
40-2-RS	40-3-RS	40-4-RS	40-5-RS	40-6-RS	3/4	DMB-23
41-2-RS	41-3-RS	41-4-RS	41-5-RS	41-6-RS	3/4	DMB-23
42-2-RS	42-3-RS	42-4-RS	42-5-RS	42-6-RS	3/4	DMB-23

BOILER TUBE EXPANDER



'BAB' SERIES 3 PLAIN ROLLER TUBE EXPANDER WITH THRUST BEARING

Tube O. D.
7/8" - 4.1/2"



TUBE SIZE			TUBE SIZE			MIN. I.D. TUBE TOOL ENTERS		MAX. EXPANSION OF TOOLS		TUBE EXPANDER MODEL NUMBER				
O.D. inch	THK. GA.	THK. inch	O.D. inch	THK. GA.	THK. inch	Mm	Inch	Mm	Inch	TUBE SHEET THICKNESS RANGE				
										1/2" TO 7/8"	3/4" TO 1. 1/8"	1. 1/8" TO 1. 5/8"	1. 5/8" TO 2. 1/8"	2. 1/8" TO 2. 5/8"
Tube Sheet Thickness Codes >>>										2	3	4	5	6
2. 1/2	3	(.259)	2. 1/4	10 & 11	(.134 & .120)	47.7	(1.877)	54.3	(2.137)	BAB-67/2	BAB-67/3	BAB-67/4	BAB-67/5	BAB-67/6
2. 1/2	4 & 5	(.238 & .220)	2. 1/4	12 & 13	(.109 & .095)	49.3	(1.940)	55.9	(2.200)	BAB-68/2	BAB-68/3	BAB-68/4	BAB-68/5	BAB-68/6
2. 1/2	6 & 7	(.203 & .180)	2. 1/4	14 - 16	(.083 - .065)	50.8	(2.000)	57.8	(2.275)	BAB-69/2	BAB-69/3	BAB-69/4	BAB-69/5	BAB-69/6
2. 1/2	8 & 9	(.165 & .148)	2. 3/4	3	(.259)	52.4	(2.062)	59.4	(2.338)	BAB-70/2	BAB-70/3	BAB-70/4	BAB-70/5	BAB-70/6
2. 1/2	10 & 11	(.134 & .120)	2. 3/4	4	(.238)	54.0	(2.125)	61.0	(2.401)	BAB-71/2	BAB-71/3	BAB-71/4	BAB-71/5	BAB-71/6
2. 1/2	12 - 14	(.109 - .083)	2. 3/4	5 & 6	(.220 & .203)	55.6	(2.188)	64.0	(2.519)	BAB-72/2	BAB-72/3	BAB-72/4	BAB-72/5	BAB-72/6
2. 1/2	15 & 16	(.072 & .065)	2. 3/4	7 & 8	(.180 & .165)	57.2	(2.251)	65.6	(2.582)	BAB-73/2	BAB-73/3	BAB-73/4	BAB-73/5	BAB-73/6
3	3	(.259)	2. 3/4	9 & 10	(.148 & .134)	58.6	(2.307)	67.0	(2.637)	BAB-74/2	BAB-74/3	BAB-74/4	BAB-74/5	BAB-74/6
3	4	(.238)	2. 3/4	11 - 13	(.120 - .095)	60.4	(2.377)	68.8	(2.708)	BAB-75/2	BAB-75/3	BAB-75/4	BAB-75/5	BAB-75/6
3	5 & 6	(.220 & .203)	2. 3/4	14 - 16	(.083 - .065)	62.2	(2.448)	70.4	(2.771)	BAB-76/2	BAB-76/3	BAB-76/4	BAB-76/5	BAB-76/6
3	7 & 8	(.180 & .165)	3. 1/4	3	(.259)	63.6	(2.503)	72.0	(2.834)	BAB-77/2	BAB-77/3	BAB-77/4	BAB-77/5	BAB-77/6
3	9 & 10	(.148 & .134)	3. 1/4	4	(.238)	65.0	(2.559)	73.4	(2.889)	BAB-78/2	BAB-78/3	BAB-78/4	BAB-78/5	BAB-78/6
3	11 - 13	(.120 - .095)	3. 1/4	5 & 6	(.220 & .203)	66.6	(2.622)	75.0	(2.952)	BAB-79/2	BAB-79/3	BAB-79/4	BAB-79/5	BAB-79/6
3	14 - 16	(.083 - .065)	3. 1/4	7 & 8	(.180 & .165)	68.3	(2.688)	76.9	(3.027)	BAB-80/2	BAB-80/3	BAB-80/4	BAB-80/5	BAB-80/6
3. 1/2	2	(.284)	3. 1/4	9 & 10	(.148 & .134)	69.9	(2.751)	78.5	(3.090)	BAB-81/2	BAB-81/3	BAB-81/4	BAB-81/5	BAB-81/6
3. 1/2	3	(.259)	3. 1/4	11 - 13	(.120 - .095)	71.5	(2.814)	80.1	(3.153)	BAB-82/2	BAB-82/3	BAB-82/4	BAB-82/5	BAB-82/6
3. 1/2	4	(.238)	3. 1/4	14 - 16	(.083 - .065)	73.1	(2.877)	81.7	(3.216)	BAB-83/2	BAB-83/3	BAB-83/4	BAB-83/5	BAB-83/6
3. 1/2	5 & 6	(.220 & .203)	3. 1/4	2	(.084)	74.6	(2.937)	84.2	(3.314)	BAB-84/2	BAB-84/3	BAB-84/4	BAB-84/5	BAB-84/6
3. 1/2	7 & 8	(.180 & .165)	3. 3/4	3	(.259)	76.2	(3.000)	85.5	(3.366)	BAB-85/2	BAB-85/3	BAB-85/4	BAB-85/5	BAB-85/6
3. 1/2	9 - 11	(.148 - .120)	3. 3/4	4	(.238)	77.8	(3.062)	87.4	(3.440)	BAB-86/2	BAB-86/3	BAB-86/4	BAB-86/5	BAB-86/6
3. 1/2	12 - 16	(.109 - .065)	3. 3/4	5 & 6	(.220 & .203)	79.4	(3.125)	89.0	(3.503)	BAB-87/2	BAB-87/3	BAB-87/4	BAB-87/5	BAB-87/6
4	2	(.284)	3. 3/4	7 & 8	(.180 & .165)	81.0	(3.188)	90.6	(3.566)	BAB-88/2	BAB-88/3	BAB-88/4	BAB-88/5	BAB-88/6
4	3	(.259)	3. 3/4	9 & 10	(.148 & .134)	82.6	(3.251)	92.2	(3.629)	BAB-89/2	BAB-89/3	BAB-89/4	BAB-89/5	BAB-89/6
4	4	(.238)	3. 3/4	11 - 13	(.120 - .095)	84.2	(3.314)	93.8	(3.692)	BAB-90/2	BAB-90/3	BAB-90/4	BAB-90/5	BAB-90/6
4	5 & 6	(.220 & .203)	4. 1/4	2	(.083 - .065)	85.8	(3.377)	96.2	(3.787)	BAB-91/2	BAB-91/3	BAB-91/4	BAB-91/5	BAB-91/6
4	7 & 8	(.180 & .165)	4. 1/4	14 - 16	(.083 - .065)	87.4	(3.440)	97.8	(3.850)	BAB-92/2	BAB-92/3	BAB-92/4	BAB-92/5	BAB-92/6
4	9 - 11	(.148 - .120)	4. 1/4	3	(.284)	89.0	(3.503)	99.4	(3.913)	BAB-93/2	BAB-93/3	BAB-93/4	BAB-93/5	BAB-93/6
4	12 - 16	(.109 - .065)	4. 1/4	4	(.238)	90.4	(3.559)	100.8	(3.968)	BAB-94/2	BAB-94/3	BAB-94/4	BAB-94/5	BAB-94/6
4	5 & 6	(.220 & .203)	4. 1/4	5 & 6	(.220 & .203)	92.0	(3.622)	102.4	(4.031)	BAB-95/2	BAB-95/3	BAB-95/4	BAB-95/5	BAB-95/6
4	7 & 8	(.180 & .165)	4. 1/4	7 & 8	(.180 & .165)	93.4	(3.677)	103.8	(4.086)	BAB-96/2	BAB-96/3	BAB-96/4	BAB-96/5	BAB-96/6
4. 1/2	2	(.284)	4. 1/4	9 & 10	(.148 & .134)	95.0	(3.740)	105.4	(4.149)	BAB-97/2	BAB-97/3	BAB-97/4	BAB-97/5	BAB-97/6
4. 1/2	3	(.259)	4. 1/4	11 - 13	(.120 - .095)	96.6	(3.803)	107.0	(4.212)	BAB-98/2	BAB-98/3	BAB-98/4	BAB-98/5	BAB-98/6
4. 1/2	4 & 5	(.238 & .220)	4. 1/4	3	(.259)	98.2	(3.866)	108.6	(4.275)	BAB-99/2	BAB-99/3	BAB-99/4	BAB-99/5	BAB-99/6
4. 1/2	6 & 7	(.203 & .180)				101.2	(3.984)	110.0	(4.330)	BAB-100/2	BAB-100/3	BAB-100/4	BAB-100/5	BAB-100/6
4. 1/2	8 & 9	(.165 & .148)				102.8	(4.047)	111.6	(4.393)	BAB-101/2	BAB-101/3	BAB-101/4	BAB-101/5	BAB-101/6
4. 1/2	10 - 12	(.134 - .109)				104.4	(4.110)	113.2	(4.456)	BAB-102/2	BAB-102/3	BAB-102/4	BAB-102/5	BAB-102/6

BOILER TUBE EXPANDER



'BAB' SERIES 3 PLAIN ROLLER TUBE EXPANDER WITH THRUST BEARING

Tube O. D.
7/8" - 4.1/2"



SPARE ROLLERS SET MODEL NUMBER					SPARE MANDREL MODEL NUMBER	
TUBE SHEET THICKNESS RANGE					MANDREL SIZE inch	DRUM TYPE
1/2" TO 7/8"	3/4" TO 1. 1/8"	1. 1/8" TO 1. 5/8"	1. 5/8" TO 2. 1/8"	2. 1/8" TO 2. 5/8"		
2	3	4	5	6	<<< Tube Sheet Thickness Codes	
43-2-RS 44-2-RS 43-2-RS	43-3-RS 44-3-RS 43-3-RS	43-4-RS 44-4-RS 43-4-RS	43-5-RS 44-5-RS 43-5-RS	43-6-RS 44-6-RS 43-6-RS	3/4 3/4 3/4	DMB-23 DMB-23 DMB-24
44-2-RS 45-2-RS 47-2-RS	44-3-RS 45-3-RS 47-3-RS	44-4-RS 45-4-RS 47-4-RS	44-5-RS 45-5-RS 47-5-RS	44-6-RS 45-6-RS 47-6-RS	3/4 3/4 3/4	DMB-24 DMB-24 DMB-24
46-2-RS 47-2-RS 48-2-RS	46-3-RS 47-3-RS 48-3-RS	46-4-RS 47-4-RS 48-4-RS	46-5-RS 47-5-RS 48-5-RS	46-6-RS 47-6-RS 48-6-RS	1 1 1	DMB-25 DMB-25 DMB-25
49-2-RS 50-2-RS 51-2-RS	49-3-RS 50-3-RS 51-3-RS	49-4-RS 50-4-RS 51-4-RS	49-5-RS 50-5-RS 51-5-RS	49-6-RS 50-6-RS 51-6-RS	1 1 1	DMB-25 DMB-25 DMB-25
52-2-RS 51-2-RS 52-2-RS	52-3-RS 51-3-RS 52-3-RS	52-4-RS 51-4-RS 52-4-RS	52-5-RS 51-5-RS 52-5-RS	52-6-RS 51-6-RS 52-6-RS	1 1 1	DMB-25 DMB-26 DMB-26
53-2-RS 54-2-RS 54-2-RS	53-3-RS 54-3-RS 54-3-RS	53-4-RS 54-4-RS 54-4-RS	53-5-RS 54-5-RS 54-5-RS	53-6-RS 54-6-RS 54-6-RS	1 1 1	DMB-26 DMB-26 DMB-27
55-2-RS 56-2-RS 57-2-RS	55-3-RS 56-3-RS 57-3-RS	55-4-RS 56-4-RS 57-4-RS	55-5-RS 56-5-RS 57-5-RS	55-6-RS 56-6-RS 57-6-RS	1 1 1	DMB-27 DMB-27 DMB-27
58-2-RS 59-2-RS 60-2-RS	58-3-RS 59-3-RS 60-3-RS	58-4-RS 59-4-RS 60-4-RS	58-5-RS 59-5-RS 60-5-RS	58-6-RS 59-6-RS 60-6-RS	1 1 1	DMB-27 DMB-27 DMB-27
59-2-RS 60-2-RS 61-2-RS	59-3-RS 60-3-RS 61-3-RS	59-4-RS 60-4-RS 61-4-RS	59-5-RS 60-5-RS 61-5-RS	59-6-RS 60-6-RS 61-6-RS	1 1 1	DMB-28 DMB-28 DMB-28
62-2-RS 63-2-RS 62-2-RS	62-3-RS 63-3-RS 62-3-RS	62-4-RS 63-4-RS 62-4-RS	62-5-RS 63-5-RS 62-5-RS	62-6-RS 63-6-RS 62-6-RS	1 1 1	DMB-28 DMB-28 DMB-29
63-2-RS 64-2-RS 63-2-RS	63-3-RS 64-3-RS 63-3-RS	63-4-RS 64-4-RS 63-4-RS	63-5-RS 64-5-RS 63-5-RS	63-6-RS 64-6-RS 63-6-RS	1 1 1	DMB-29 DMB-29 DMB-30
64-2-RS 65-2-RS 66-2-RS	64-3-RS 65-3-RS 66-3-RS	64-4-RS 65-4-RS 66-4-RS	64-5-RS 65-5-RS 66-5-RS	64-6-RS 65-6-RS 66-6-RS	1 1 1	DMB-30 DMB-30 DMB-30

BOILER TUBE EXPANDER



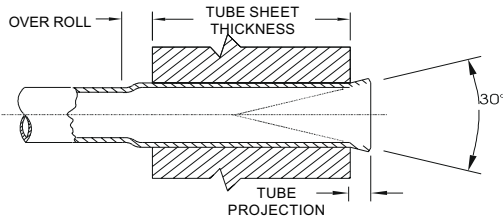
Tube O. D.
7/8"- 4.1/2"

'BABF3' SERIES

3 PLAIN & 3 FLARE ROLLER TUBE EXPANDER WITH THRUST BEARING

FEATURES:

- Its similar to BAF3 series tube expander
- Bearing reduces frictional build up for smoother expanding cycles.
- Bearing increases useful life of tool.
- Use: This tool is most useful for high productivity where flaring of tubes is needed.



TUBE SIZE			TUBE SIZE			MIN. I.D. TUBE TOOL ENTERS	MAX. EXPANSION OF TOOL	TUBE EXPANDER MODEL NUMBER						
O.D. inch	THK. GA.	THK. inch	O.D. inch	THK. GA.	THK. inch			TUBE SHEET THICKNESS RANGE						
						Mm	Inch	Mm	Inch	3/4" TO 1. 1/8"	1. 1/8" TO 1. 5/8"	1. 5/8" TO 2. 1/8"	2. 1/8" TO 2. 5/8"	
Tube Sheet Thickness Codes >>>										2	3	4	5	6
7/8	15	(.072)	1	10	(.134)	18.1	(.712)	20.4	(.803)	ABF3-31/2	ABF3-31/3	-	-	-
7/8	16	(.065)				18.4	(.724)	20.7	(.814)	ABF3-32/2	ABF3-32/3	-	-	-
7/8	17	(.058)	1	11	(.120)	18.8	(.740)	21.1	(.830)	ABF3-33/2	ABF3-33/3	-	-	-
7/8	18	(.049)	1	12	(.109)	19.4	(.763)	21.6	(.850)	ABF3-34/2	ABF3-34/3	-	-	-
7/8	19&20	(.042 & .035)	1. 1/8	8	(.165)	19.7	(.775)	22.3	(.877)	ABF3-35/2	ABF3-35/3	-	-	-
1	13	(.095)				20.1	(.791)	22.4	(.881)	ABF3-36/2	ABF3-36/3	-	-	-
1	14	(.083)	1. 1/8	9	(.148)	20.6	(.811)	23.1	(.909)	ABF3-37/2	ABF3-37/3	ABF3-37/4	-	-
1	15&16	(.072 & .065)	1. 1/8	10	(.134)	21.3	(.838)	23.8	(.937)	ABF3-38/2	ABF3-38/3	ABF3-38/4	-	-
1	17&18	(.058 & .048)	1. 1/8	11	(.120)	22.0	(.866)	24.5	(.964)	ABF3-39/2	ABF3-39/3	ABF3-39/4	-	-
1	19&20	(.042 & .035)	1. 1/8	12	(.109)	22.4	(.881)	25.0	(.984)	ABF3-40/2	ABF3-40/3	ABF3-40/4	-	-
1. 1/4	8	(.165)	1. 1/8	13	(.095)	23.3	(.917)	25.9	(1.019)	ABF3-41/2	ABF3-41/3	ABF3-41/4	-	-
1. 1/4	9	(.148)	1. 1/8	14	(.083)	23.8	(.937)	26.5	(1.043)	ABF3-42/2	ABF3-42/3	ABF3-42/4	-	-
1. 1/4	10	(.134)	1. 1/8	15&16	(.072 & .065)	24.4	(.960)	27.2	(1.070)	ABF3-43/2	ABF3-43/3	ABF3-43/4	-	-
1. 1/4	11	(.120)				25.2	(.992)	28.0	(1.102)	ABF3-44/2	ABF3-44/3	ABF3-44/4	-	-
1. 1/4	12	(.109)				25.7	(1.011)	28.5	(1.122)	ABF3-45/2	ABF3-45/3	ABF3-45/4	-	-
1. 1/4	13	(.095)	1. 3/8	8	(.165)	26.1	(1.027)	28.8	(1.133)	ABF3-46/2	ABF3-46/3	ABF3-46/4	-	-
1. 1/4	14	(.083)				26.4	(1.039)	29.2	(1.149)	ABF3-47/2	ABF3-47/3	ABF3-47/4	-	-
1. 1/4	15	(.072)	1. 3/8	9	(.148)	26.9	(1.059)	29.7	(1.169)	ABF3-48/2	ABF3-48/3	ABF3-48/4	-	-
1. 1/4	16	(.065)	1. 3/8	10	(.134)	27.6	(1.086)	30.4	(1.196)	ABF3-49/2	ABF3-49/3	ABF3-49/4	ABF3-49/5	ABF3-49/6
1. 1/2	7	(.180)	1. 3/8	11	(.120)	28.3	(1.114)	31.2	(1.228)	ABF3-50/2	ABF3-50/3	ABF3-50/4	ABF3-50/5	ABF3-50/6
1. 1/2	8	(.165)	1. 3/8	12	(.109)	28.8	(1.133)	31.7	(1.248)	ABF3-51/2	ABF3-51/3	ABF3-51/4	ABF3-51/5	ABF3-51/6
1. 1/2	9	(.148)	1. 3/8	13&14	(.095 & .083)	29.5	(1.161)	33.4	(1.314)	ABF3-52/2	ABF3-52/3	ABF3-52/4	ABF3-52/5	ABF3-52/6
1. 1/2	10	(.134)	1. 3/8	15&16	(.072 & .065)	30.0	(1.181)	34.1	(1.342)	ABF3-53/2	ABF3-53/3	ABF3-53/4	ABF3-53/5	ABF3-53/6
1. 1/2	11&12	(.120 & .109)				30.6	(1.204)	34.8	(1.370)	ABF3-54/2	ABF3-54/3	ABF3-54/4	ABF3-54/5	ABF3-54/6
1. 1/2	13	(.095)	1. 3/4	5	(.220)	31.4	(1.236)	35.6	(1.401)	ABF3-55/2	ABF3-55/3	ABF3-55/4	ABF3-55/5	ABF3-55/6
1. 1/2	14&15	(.083 & .072)	1. 3/4	6	(.203)	32.6	(1.283)	36.8	(1.448)	ABF3-56/2	ABF3-56/3	ABF3-56/4	ABF3-56/5	ABF3-56/6
			1. 3/4	7	(.180)	33.4	(1.314)	38.1	(1.500)	ABF3-57/2	ABF3-57/3	ABF3-57/4	ABF3-57/5	ABF3-57/6
			1. 3/4	8	(.165)	34.2	(1.346)	38.7	(1.523)	ABF3-58/2	ABF3-58/3	ABF3-58/4	ABF3-58/5	ABF3-58/6
2	3	(.259)	1. 3/4	9 & 10	(.148 & .134)	35.0	(1.377)	40.6	(1.598)	ABF3-59/2	ABF3-59/3	ABF3-59/4	ABF3-59/5	ABF3-59/6
2	4	(.238)	1. 3/4	11&12	(.120 & .109)	36.6	(1.440)	42.2	(1.661)	ABF3-60/2	ABF3-60/3	ABF3-60/4	ABF3-60/5	ABF3-60/6
2	5 & 6	(.220 & .203)	1. 3/4	13&14	(.095 & .083)	38.2	(1.503)	43.8	(1.712)	ABF3-61/2	ABF3-61/3	ABF3-61/4	ABF3-61/5	ABF3-61/6
2	7 & 8	(.180 & .165)	1. 3/4	15&16	(.072 & .065)	39.8	(1.566)	45.4	(1.787)	ABF3-62/2	ABF3-62/3	ABF3-62/4	ABF3-62/5	ABF3-62/6
2	9 & 10	(.148 & .134)	2. 1/4	3	(.259)	41.4	(1.629)	47.0	(1.850)	ABF3-63/2	ABF3-63/3	ABF3-63/4	ABF3-63/5	ABF3-63/6
2	11 - 13	(.120 - .095)	2. 1/4	4	(.238)	42.9	(1.688)	49.5	(1.948)	ABF3-64/2	ABF3-64/3	ABF3-64/4	ABF3-64/5	ABF3-64/6
2	14 - 16	(.083 - .065)	2. 1/4	6 & 7	(.203 & .180)	44.5	(1.751)	51.1	(2.011)	ABF3-65/2	ABF3-65/3	ABF3-65/4	ABF3-65/5	ABF3-65/6
2	17&18	(.058 & .049)	2. 1/4	8 & 9	(.165 & .148)	46.1	(1.814)	52.7	(2.074)	ABF3-66/2	ABF3-66/3	ABF3-66/4	ABF3-66/5	ABF3-66/6

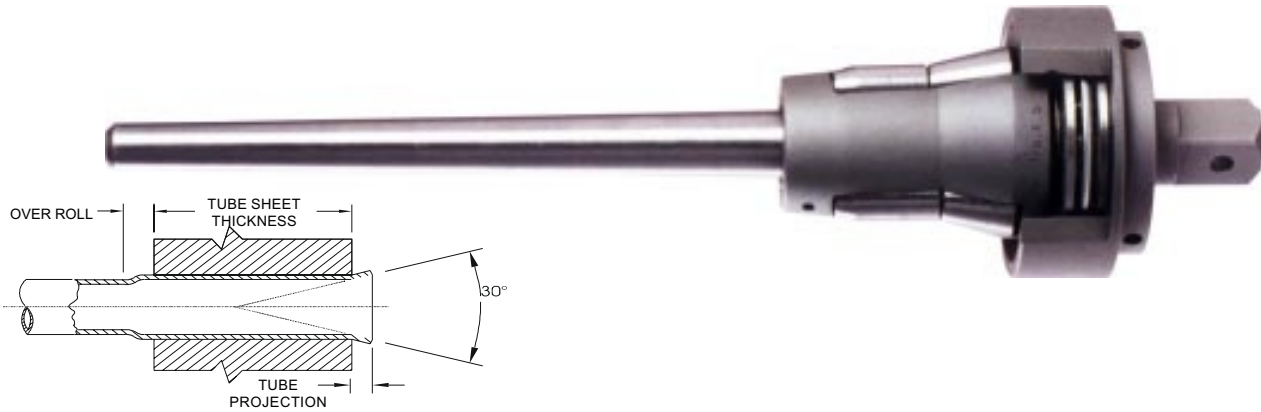
BOILER TUBE EXPANDER



'BABF3' SERIES

3 PLAIN & 3 FLARE ROLLER TUBE EXPANDER WITH THRUST BEARING

Tube O. D.
7/8" - 4.1/2"



SPARE ROLLERS SET MODEL NUMBER					SPARE MANDREL MODEL NUMBER	
TUBE SHEET THICKNESS RANGE					MANDREL SIZE inch	DRUM TYPE
1/2" TO 7/8"	3/4" TO 1. 1/8"	1. 1/8" TO 1. 5/8"	1. 5/8" TO 2. 1/8"	2. 1/8" TO 2. 5/8"		
2	3	4	5	6	<<< Tube Sheet Thickness Codes	
B15-2-F3S B15-2-F3S B16-2-F3S	B15-3-F3S B15-3-F3S B16-3-F3S	- - -	- - -	- - -	3/8 3/8 3/8	BDMB-11 BDMB-12 BDMB-12
B20-2-F3S B17-2-F3S B18-2-F3S	B20-3-F3S B17-3-F3S B18-3-F3S	- - -	- - -	- - -	3/8 3/8 3/8	BDMB-12 BDMB-13 BDMB-12
B18-2-F3S B19-2-F3S B21-2-F3S	B18-3-F3S B19-3-F3S B21-3-F3S	B18-4-F3S B19-4-F3S B21-4-F3S	- - -	- - -	3/8 3/8 3/8	BDMB-13 BDMB-13 BDMB-13
B21-2-F3S B22-2-F3S B23-2-F3S	B21-3-F3S B22-3-F3S B23-3-F3S	B21-4-F3S B22-4-F3S B23-4-F3S	- - -	- - -	3/8 3/8 1/2	BDMB-14 BDMB-14 BDMB-15
B24-2-F3S B26-2-F3S B27-2-F3S	B24-3-F3S B26-3-F3S B27-3-F3S	B24-4-F3S B26-4-F3S B27-4-F3S	- - -	- - -	1/2 1/2 1/2	BDMB-15 BDMB-16 BDMB-16
B31-2-F3S B28-2-F3S B29-2-F3S	B1-3-F3S B28-3-F3S B29-3-F3S	B31-4-F3S B28-4-F3S B29-4-F3S	- - -	- - -	1/2 1/2 1/2	BDMB-16 BDMB-17 BDMB-17
B30-2-F3S B30-2-F3S 32-2-F3S	B30-3-F3S B30-3-F3S B32-3-F3S	B30-4-F3S B30-4-F3S B32-4-F3S	B30-5-F3S B30-5-F3S B32-5-F3S	B30-6-F3S B30-6-F3S B32-6-F3S	1/2 1/2 1/2	BDMB-17 BDMB-18 BDMB-18
B28-2-F3S B29-2-F3S B30-2-F3S	B28-3-F3S B29-3-F3S B30-3-F3S	B28-4-F3S B29-4-F3S B30-4-F3S	B28-5-F3S B29-5-F3S B30-5-F3S	B28-6-F3S B29-6-F3S B30-6-F3S	1/2 1/2 1/2	BDMB-20 BDMB-20 BDMB-20
B33-2-F3S B34-2-F3S B36-2-F3S	B33-3-F3S B34-3-F3S B36-3-F3S	B33-4-F3S B34-4-F3S B36-4-F3S	B33-5-F3S B34-5-F3S B36-5-F3S	B33-6-F3S B34-6-F3S B36-6-F3S	1/2 1/2 1/2	BDMB-20 BDMB-21 BDMB-21
B37-2-F3S B33-2-F3S B37-2-F3S	B37-3-F3S B33-3-F3S B37-3-F3S	B37-4-F3S B33-4-F3S 3B7-4-F3S	B37-5-F3S B33-5-F3S B37-5-F3S	B37-6-F3S B33-6-F3S B37-6-F3S	1/2 3/4 3/4	BDMB-21 BMB-22 BDMB-22
B38-2-F3S B39-2-F3S B40-2-F3S	B38-3-F3S B39-3-F3S B40-3-F3S	B38-4-F3S B39-4-F3S B40-4-F3S	B38-5-F3S B9-5-F3S B40-5-F3S	B38-6-F3S B39-6-F3S B40-6-F3S	3/4 3/4 3/4	BDMB-22 BDMB-22 BDMB-22
B40-2-F3S B41-2-F3S B42-2-F3S	B40-3-F3S B41-3-F3S B42-3-F3S	B40-4-F3S B41-4-F3S B42-4-F3S	B40-5-F3S B41-5-F3S B42-5-F3S	B40-6-F3S B41-6-F3S B42-6-F3S	3/4 3/4 3/4	BDMB-23 BDMB-23 BDMB-23

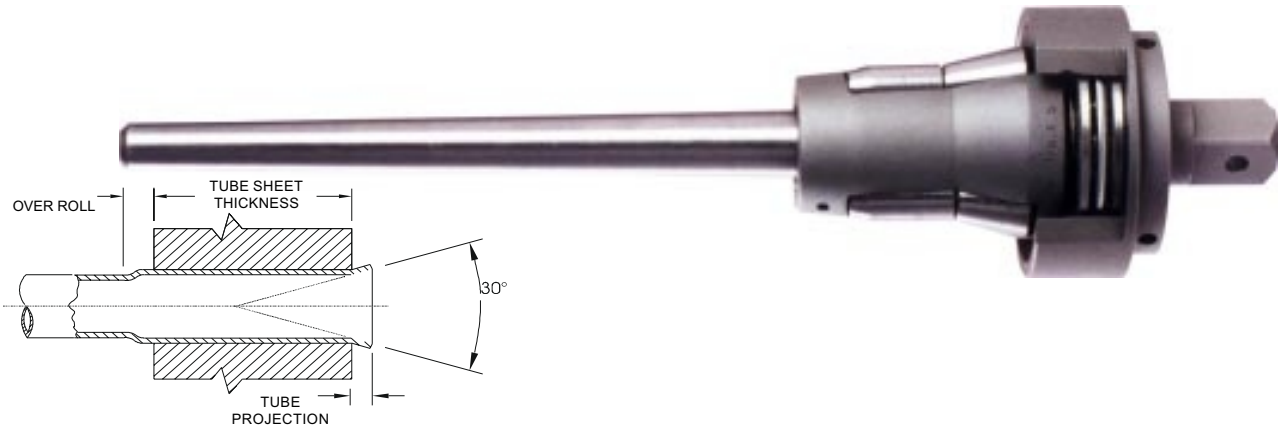
BOILER TUBE EXPANDER



Tube O. D.
7/8"- 4.1/2"

'BABF3' SERIES

3 PLAIN & 3 FLARE ROLLER TUBE EXPANDER WITH THRUST BEARING



TUBE SIZE			TUBE SIZE			MIN. I.D. TUBE TOOL ENTERS	MAX. EXPANSION OF TOOL	TUBE EXPANDER MODEL NUMBER						
O.D. inch	THK. GA.	THK. inch	O.D. inch	THK. GA.	THK. inch			TUBE SHEET THICKNESS RANGE						
						Mm	Inch	Mm	Inch	1/2" TO 7/8"	3/4" TO 1. 1/8"	1. 1/8" TO 1. 5/8"	1. 5/8" TO 2. 1/8"	2. 1/8" TO 2. 5/8"
Tube Sheet Thickness Codes >>>										2	3	4	5	6
2.1/2	3	(.259)	2.1/4	10&11	(.134 &.120)	47.7	(1.877)	54.3	(2.137)	BABF3-67/2	BABF3-67/3	BABF3-67/4	BABF3-67/5	BABF3-67/6
2.1/2	4 & 5	(.238 &.220)	2.1/4	12&13	(.109 &.095)	49.3	(1.940)	55.9	(2.200)	BABF3-68/2	BABF3-68/3	BABF3-68/4	BABF3-68/5	BABF3-68/6
2.1/2	6 & 7	(.203 &.180)	2.1/4	14 -16	(.083 -.065)	50.8	(2.000)	57.8	(2.275)	BABF3-69/2	BABF3-69/3	BABF3-69/4	BABF3-69/5	BABF3-69/6
2.1/2	8 & 9	(.165 &.148)	2.3/4	3	(.259)	52.4	(2.062)	59.4	(2.338)	BABF3-70/2	BABF3-70/3	BABF3-70/4	BABF3-70/5	BABF3-70/6
2.1/2	10&11	(.134 &.120)	2.3/4	4	(.238)	54.0	(2.125)	61.0	(2.401)	BABF3-71/2	BABF3-71/3	BABF3-71/4	BABF3-71/5	BABF3-71/6
2.1/2	12 -14	(.109 -.083)	2.3/4	5 & 6	(.220 &.203)	55.6	(2.188)	64.0	(2.519)	BABF3-72/2	BABF3-72/3	BABF3-72/4	BABF3-72/5	BABF3-72/6
2.1/2	15&16	(.072 &.065)	2.3/4	7 & 8	(.180 &.165)	57.2	(2.251)	65.6	(2.582)	BABF3-73/2	BABF3-73/3	BABF3-73/4	BABF3-73/5	BABF3-73/6
3	3	(.259)	2.3/4	9 & 10	(.148 &.134)	58.6	(2.307)	67.0	(2.637)	BABF3-74/2	BABF3-74/3	BABF3-74/4	BABF3-74/5	BABF3-74/6
3	4	(.238)	2.3/4	11 -13	(.120 -.095)	60.4	(2.377)	68.8	(2.708)	BABF3-75/2	BABF3-75/3	BABF3-75/4	BABF3-75/5	BABF3-75/6
3	5 & 6	(.220 &.203)	2.3/4	14 -16	(.083 -.065)	62.2	(2.448)	70.4	(2.771)	BABF3-76/2	BABF3-76/3	BABF3-76/4	BABF3-76/5	BABF3-76/6
3	7 & 8	(.180 &.165)	3.1/4	3	(.259)	63.6	(2.503)	72.0	(2.834)	BABF3-77/2	BABF3-77/3	BABF3-77/4	BABF3-77/5	BABF3-77/6
3	9 & 10	(.148 &.134)	3.1/4	4	(.238)	65.0	(2.559)	73.4	(2.889)	BABF3-78/2	BABF3-78/3	BABF3-78/4	BABF3-78/5	BABF3-78/6
3	11 -13	(.120 -.095)	3.1/4	5 & 6	(.220 &.203)	66.6	(2.622)	75.0	(2.952)	BABF3-79/2	BABF3-79/3	BABF3-79/4	BABF3-79/5	BABF3-79/6
3	14 -16	(.083 -.065)	3.1/4	7 & 8	(.180 &.165)	68.3	(2.688)	76.9	(3.027)	BABF3-80/2	BABF3-80/3	BABF3-80/4	BABF3-80/5	BABF3-80/6
3.1/2	2	(.284)	3.1/4	9 & 10	(.148 &.134)	69.9	(2.751)	78.5	(3.090)	BABF3-81/2	BABF3-81/3	BABF3-81/4	BABF3-81/5	BABF3-81/6
3.1/2	3	(.259)	3.1/4	11 -13	(.120 -.095)	71.5	(2.814)	80.1	(3.153)	BABF3-82/2	BABF3-82/3	BABF3-82/4	BABF3-82/5	BABF3-82/6
3.1/2	4	(.238)	3.1/4	14 -16	(.083 -.065)	73.1	(2.877)	81.7	(3.216)	BABF3-83/2	BABF3-83/3	BABF3-83/4	BABF3-83/5	BABF3-83/6
3.1/2	5 & 6	(.220 &.203)	3.1/4	3	(.259)	74.6	(2.937)	84.2	(3.314)	BABF3-84/2	BABF3-84/3	BABF3-84/4	BABF3-84/5	BABF3-84/6
3.1/2	7 & 8	(.180 &.165)	3.3/4	2	(.084)	76.2	(3.000)	85.5	(3.366)	BABF3-85/2	BABF3-85/3	BABF3-85/4	BABF3-85/5	BABF3-85/6
3.1/2	9 - 11	(.148 -.120)	3.3/4	3	(.259)	77.8	(3.062)	87.4	(3.440)	BABF3-86/2	BABF3-86/3	BABF3-86/4	BABF3-86/5	BABF3-86/6
3.1/2	12 -16	(.109 -.065)	3.3/4	4	(.238)	79.4	(3.125)	89.0	(3.503)	BABF3-87/2	BABF3-87/3	BABF3-87/4	BABF3-87/5	BABF3-87/6
4	2	(.284)	3.3/4	5 & 6	(.220 &.203)	81.0	(3.188)	90.6	(3.566)	BABF3-88/2	BABF3-88/3	BABF3-88/4	BABF3-88/5	BABF3-88/6
4	3	(.259)	3.3/4	7 & 8	(.180 &.165)	82.6	(3.251)	92.2	(3.629)	BABF3-89/2	BABF3-89/3	BABF3-89/4	BABF3-89/5	BABF3-89/6
4	4	(.238)	3.3/4	9 & 10	(.148 &.134)	84.2	(3.314)	93.8	(3.692)	BABF3-90/2	BABF3-90/3	BABF3-90/4	BABF3-90/5	BABF3-90/6
4	5 & 6	(.220 &.203)	3.3/4	11 -13	(.120 -.095)	85.8	(3.377)	96.2	(3.787)	BABF3-91/2	BABF3-91/3	BABF3-91/4	BABF3-91/5	BABF3-91/6
4	7 & 8	(.180 &.165)	3.3/4	14 -16	(.083 -.065)	87.4	(3.440)	97.8	(3.850)	BABF3-92/2	BABF3-92/3	BABF3-92/4	BABF3-92/5	BABF3-92/6
4	9 - 11	(.148 -.120)	4.1/4	2	(.284)	89.0	(3.503)	99.4	(3.913)	BABF3-93/2	BABF3-93/3	BABF3-93/4	BABF3-93/5	BABF3-93/6
4	12 -16	(.109 -.065)	4.1/4	3	(.259)	90.4	(3.559)	100.8	(3.968)	BABF3-94/2	BABF3-94/3	BABF3-94/4	BABF3-94/5	BABF3-94/6
4.1/2	3	(.259)	4.1/4	4	(.238)	92.0	(3.622)	102.4	(4.031)	BABF3-95/2	BABF3-95/3	BABF3-95/4	BABF3-95/5	BABF3-95/6
4.1/2	4 & 5	(.238 &.220)	4.1/4	5 & 6	(.220 &.203)	93.4	(3.677)	103.8	(4.086)	BABF3-96/2	BABF3-96/3	BABF3-96/4	BABF3-96/5	BABF3-96/6
4.1/2	6 & 7	(.203 &.180)	4.1/4	7 & 8	(.180 &.165)	95.0	(3.740)	105.4	(4.149)	BABF3-97/2	BABF3-97/3	BABF3-97/4	BABF3-97/5	BABF3-97/6
4.1/2	8 & 9	(.165 &.148)	4.1/4	9 -11	(.148 -.120)	96.6	(3.803)	107.0	(4.212)	BABF3-98/2	BABF3-98/3	BABF3-98/4	BABF3-98/5	BABF3-98/6
4.1/2	10 -12	(.134 -.109)	4.1/4	11 -13	(.120 -.095)	98.2	(3.866)	108.6	(4.275)	BABF3-99/2	BABF3-99/3	BABF3-99/4	BABF3-99/5	BABF3-99/6
4.1/2	14 -16	(.083 -.065)				101.2	(3.984)	110.0	(4.330)	BABF3-100/2	BABF3-100/3	BABF3-100/4	BABF3-100/5	BABF3-100/6
4.1/2	18 -20	(.053 -.045)				102.8	(4.047)	111.6	(4.393)	BABF3-101/2	BABF3-101/3	BABF3-101/4	BABF3-101/5	BABF3-101/6
4.1/2	22 -24	(.038 -.030)				104.4	(4.110)	113.2	(4.456)	BABF3-102/2	BABF3-102/3	BABF3-102/4	BABF3-102/5	BABF3-102/6

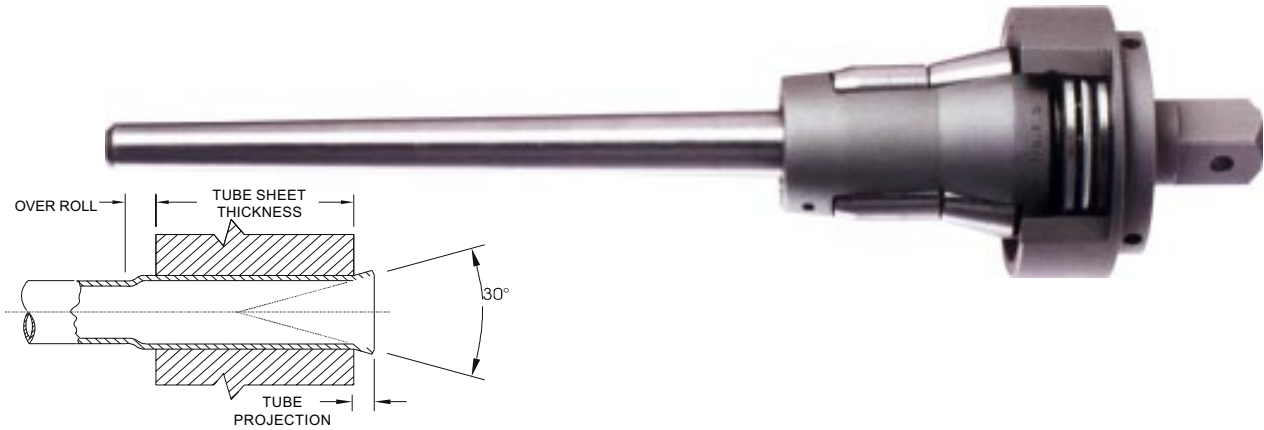
BOILER TUBE EXPANDER



'BABF3' SERIES

3 PLAIN & 3 FLARE ROLLER TUBE EXPANDER WITH THRUST BEARING

Tube O. D.
7/8" - 4.1/2"



SPARE ROLLERS SET MODEL NUMBER					SPARE MANDREL MODEL NUMBER	
TUBE SHEET THICKNESS RANGE					MANDREL SIZE inch	DRUM TYPE
1/2" TO 7/8"	3/4" TO 1. 1/8"	1. 1/8" TO 1. 5/8"	1. 5/8" TO 2. 1/8"	2. 1/8" TO 2. 5/8"		
2	3	4	5	6	<<< Tube Sheet Thickness Codes	
43-2-BF3S 44-2-BF3S 43-2-BF3S	B43-3-BF3S B44-3-BF3S B43-3-BF3S	B43-4-BF3S B44-4-BF3S B43-4-BF3S	B43-5-BF3S B44-5-BF3S B43-5-BF3S	B43-6-BF3S B44-6-BF3S B43-6-BF3S	3/4 3/4 3/4	BDMB-23 BDMB-23 BDMB-24
44-2-BF3S 45-2-BF3S 47-2-BF3S	B44-3-BF3S B45-3-BF3S B47-3-BF3S	B44-4-BF3S B45-4-BF3S B47-4-BF3S	B44-5-BF3S B45-5-BF3S B47-5-BF3S	B44-6-BF3S B45-6-BF3S B47-6-BF3S	3/4 3/4 3/4	BDMB-24 BDMB-24 BDMB-24
46-2-BF3S 47-2-BF3S 48-2-BF3S	B46-3-BF3S B47-3-BF3S B48-3-BF3S	B46-4-BF3S B47-4-BF3S B48-4-BF3S	B46-5-BF3S B47-5-BF3S B48-5-BF3S	B46-6-BF3S B47-6-BF3S B48-6-BF3S	1 1 1	BDMB-25 BDMB-25 BDMB-25
49-2-BF3S 50-2-BF3S 51-2-BF3S	B49-3-BF3S B50-3-BF3S B51-3-BF3S	B49-4-BF3S B50-4-BF3S B51-4-BF3S	B49-5-BF3S B50-5-BF3S B51-5-BF3S	B9-6-BF3S B50-6-BF3S B51-6-BF3S	1 1 1	BDMB-25 BDMB-25 BDMB-25
52-2-BF3S 51-2-BF3S 52-2-BF3S	B52-3-BF3S B51-3-BF3S B52-3-BF3S	B52-4-BF3S B51-4-BF3S B52-4-BF3S	B52-5-BF3S B51-5-BF3S B52-5-BF3S	B52-6-BF3S B51-6-BF3S B52-6-BF3S	1 1 1	BDMB-25 BDMB-26 BDMB-26
53-2-BF3S 54-2-BF3S 54-2-BF3S	B53-3-BF3S B54-3-BF3S B54-3-BF3S	B53-4-BF3S B54-4-BF3S B54-4-BF3S	B53-5-BF3S B54-5-BF3S B5-5-BF3S	B53-6-BF3S B54-6-BF3S B54-6-BF3S	1 1 1	BDMB-26 BDMB-26 BDMB-27
55-2-BF3S 56-2-BF3S 57-2-BF3S	B55-3-BF3S B56-3-BF3S B57-3-BF3S	B55-4-BF3S B56-4-BF3S B57-4-BF3S	B5-5-BF3S B6-5-BF3S B57-5-BF3S	B55-6-BF3S B56-6-BF3S B57-6-BF3S	1 1 1	BDMB-27 BDMB-27 BDMB-27
58-2-BF3S 59-2-BF3S 60-2-BF3S	B58-3-BF3S B59-3-BF3S B60-3-BF3S	B58-4-BF3S B9-4-BF3S B60-4-BF3S	B8-5-BF3S B59-5-BF3S B60-5-BF3S	B58-6-BF3S B59-6-BF3S B60-6-BF3S	1 1 1	BDMB-27 BDMB-27 BDMB-27
59-2-BF3S 60-2-BF3S 61-2-BF3S	B59-3-BF3S B60-3-BF3S B61-3-BF3S	B9-4-BF3S B60-4-BF3S B1-4-BF3S	B59-5-BF3S B0-5-BF3S B61-5-BF3S	B59-6-BF3S B60-6-BF3S B61-6-BF3S	1 1 1	BDMB-28 BDMB-28 BDMB-28
62-2-BF3S 63-2-BF3S 62-2-BF3S	B62-3-F3S B63-3-F3S B62-3-F3S	B62-4-F3S B63-4-F3S B62-4-F3S	B62-5-BF3S B63-5-BF3S B62-5-BF3S	B62-6-BF3S B63-6-BF3S B62-6-BF3S	1 1 1	BDMB-28 BDMB-28 BDMB-29
63-2-BF3S 64-2-BF3S 63-2-BF3S	B63-3-F3S B4-3-F3S B63-3-F3S	B63-4-F3S B64-4-F3S B63-4-F3S	B63-5-BF3S B64-5-BF3S B63-5-BF3S	B63-6-F3S B64-6-F3S B63-6-F3S	1 1 1	BDMB-29 BDMB-29 BDMB-30
64-2-BF3S 65-2-BF3S 66-2-BF3S	B64-3-BF3S B65-3-BF3S B66-3-BF3S	B64-4-BF3S B65-4-BF3S B66-4-BF3S	B64-5-BF3S B65-5-BF3S B66-5-BF3S	B64-6-BF3S B65-6-BF3S B66-6-BF3S	1 1 1	BDMB-30 BDMB-30 BDMB-30

BOILER TUBE EXPANDER



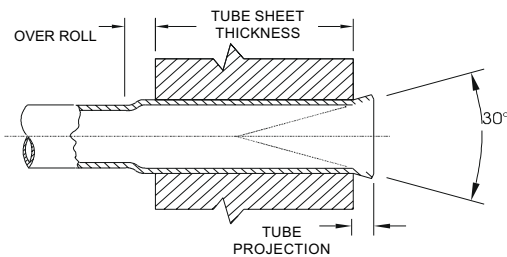
'B-1000' SERIES WITH COLLAR

3 PLAIN & 3 FLARE ROLLER TUBE EXPANDER

Tube O. D.
1" - 4.1/2"

FEATURES:

- Use - Ideal for use in limited access space like water boxes, small diameter drums.
- Overlapping rolls prevent ridging of tube.



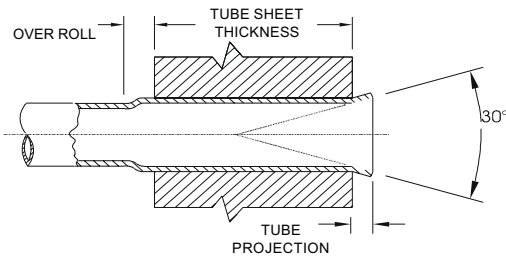
TUBE SIZE			TUBE SIZE			MIN. I.D. TUBE TOOL ENTERS		MAX. EXPANSION OF TOOLS		TUBE EXPANDER MODEL NUMBER				
O.D. inch	THK. GA.	THK. inch	O.D. inch	THK. GA.	THK. inch	Mm	Inch	Mm	Inch	TUBE SHEET THICKNESS RANGE				
										1/2" TO 3/4"	7/8" TO 1. 1/4"	1.3/8" TO 1.3/4"	1. 7/8" TO 2. 1/4"	2. 3/8" TO 2. 3/4"
Tube Sheet Thickness Codes >>>										3	5	7	9	11
1	13&14	(.095 &.083)	1.1/8	9	(.148)	18.7	(.736)	23.4	(.921)	BP1079/3	BP1079/5			
1	15&16	(.072 &.065)	1.1/8	10	(.134)	19.7	(.775)	24.4	(.961)	BP1083/3	BP1083/5			
1.1/4	7	(.180)	1.1/8	11&12	(.120 &.109)	20.7	(.814)	25.5	(1.004)	BP1087/3	BP1087/5			
1.1/4	8&9	(.165 &.148)	1.1/8	13&14	(.095 &.083)	21.7	(.854)	26.5	(1.043)	BP1091/3	BP1091/5			
1.1/4	10	(.134)	1.1/8	15&16	(.072 &.065)	22.7	(.893)	28.1	(1.105)	BP1095/3	BP1095/5			
1.1/4	11-13	(.120 -.095)	1.3/8	8	(.165)	23.7	(.933)	29.0	(1.142)	BP1099/3	BP1099/5			
1.1/4	14&15	(.083 &.072)	1.3/8	9	(.148)	24.7	(.972)	30.0	(1.181)	BP1103/3	BP1103/5			
1.1/4	16	(.065)	1.3/8	10	(.134)	26.8	(1.055)	33.0	(1.299)	BP1111/3	BP1111/5			
1.1/2	10-12	(.134 -.109)	1.3/8	15&16	(.072 &.065)	29.7	(1.169)	35.0	(1.378)	BP1118/3	BP1118/5			
1.1/2	13-16	(.095 -.065)	1.3/4	6&7	(.203 &.180)	31.7	(1.248)	38.0	(1.496)	BP1126/3	BP1126/5			
2	3	(.259)	1.3/4	8&9	(.165 &.148)	33.7	(1.326)	40.0	(1.575)	BP1134/3	BP1134/5	BP1134/7	BP1134/9	BP1134/11
2	4&5	(.238 &.220)	1.3/4	10-12	(.134 -.109)	35.7	(1.405)	42.5	(1.673)	BP1142/3	BP1142/5	BP1142/7	BP1142/9	BP1142/11
2	6	(.203)	1.3/4	13-16	(.095 -.065)	37.7	(1.484)	44.5	(1.752)	BP1150/3	BP1150/5	BP1150/7	BP1150/9	BP1150/11
2	7-9	(.180 -.148)	2.1/4	3	(.259)	39.7	(1.562)	47.0	(1.850)	BP1158/3	BP1158/5	BP1158/7	BP1158/9	BP1158/11
2	10-12	(.134 -.109)	2.1/4	4	(.238)	41.7	(1.641)	49.0	(1.929)	P1166/3	BP1166/5	BP1166/7	BP1166/9	BP1166/11
2	13-15	(.095 -.072)	2.1/4	5&6	(.220 &.203)	43.7	(1.720)	51.5	(2.027)	BP1174/3	BP1174/5	BP1174/7	BP1174/9	BP1174/11
2	16	(.065)	2.1/4	7-9	(.180 -.148)	45.7	(1.799)	54.0	(2.126)	BP1181/3	BP1181/5	BP1181/7	BP1181/9	BP1181/11
2.1/2	4&5	(.238 &.220)	2.1/4	10-13	(.134 -.095)	47.7	(1.877)	56.0	(2.205)	BP1189/3	BP1189/5	BP1189/7	BP1189/9	BP1189/11
2.1/2	6	(.203)	2.1/4	14-16	(.083 -.065)	49.7	(1.956)	60.0	(2.362)	BP1197/3	BP1197/5	BP1197/7	BP1197/9	BP1197/11
2.1/2	7-10	(.180 -.134)	2.3/4	2&3	(.284 &.259)	51.7	(2.035)	62.0	(2.441)	BP1205/3	BP1205/5	BP1205/7	BP1205/9	BP1205/11
2.1/2	11-13	(.120 -.095)	2.3/4	4&5	(.238 &.220)	53.7	(2.114)	64.0	(2.520)	BP1213/3	BP1213/5	BP1213/7	BP1213/9	BP1213/11
2.1/2	14-16	(.083 -.065)	2.3/4	6-8	(.203 -.165)	55.7	(2.192)	66.0	(2.598)	BP1221/3	BP1221/5	BP1221/7	BP1221/9	BP1221/11

BOILER TUBE EXPANDER



'B-1000' SERIES WITH COLLAR 3 PLAIN & 3 FLARE ROLLER TUBE EXPANDER

Tube O. D.
1" - 4.1/2"



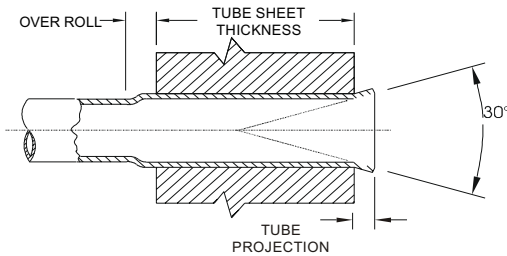
SPARE ROLLERS SET MODEL NUMBER					SPARE MANDREL MODEL NUMBER		
TUBE SHEET THICKNESS RANGE					MANDREL SIZE inch	DRUM TYPE	SHORT SERIES MANDRELS
1/2" TO 3/4"	7/8" TO 1. 1/4"	1. 3/8" TO 1. 3/4"	1. 7/8" TO 2. 1/4"	2. 3/8" TO 2. 3/4"			
3	5	7	9	11	<<< Tube Sheet Thickness Codes		
B079-3-FS B083-3-FS B087-3-FS	B079-5-FS B083-5-FS B087-5-FS				1/2 1/2 1/2	B83-MP B83-MP B91-MP	
B095-3-FS B095-3-FS B099-3-FS	B095-5-FS B095-5-FS B099-5-FS				1/2 1/2 1/2	B91-MP B99-MP B99-MP	
B103-3-FS B111-3-FS B118-3-FS	B103-5-FS B111-5-FS B118-5-FS				1/2 3/4 3/4	B99-MP B118-MP B118MP	BMPS-1,2,3 BMPS-1,2,3
B126-3-FS B126-3-FS B142-3-FS	B126-5-FS B126-5-FS B142-5-FS	B126-7-FS B142-7-FS	B126-9-FS B142-9-FS	B126-11-FS B142-11-FS	3/4 3/4 3/4	B126-MP B134-MP B150-MP	BMPS-2,3,4 BMPS-3,4,5 BMPS-3,4,5,6
B150-3-FS B158-3-FS B166-3-FS	B150-5-FS B158-5-FS B166-5-FS	B150-7-FS B158-7-FS B166-7-FS	B150-9-FS B158-9-FS B166-9-FS	B150-11-FS B158-11-FS B166-11-FS	3/4 3/4 3/4	B150-MP B174-MP B174-MP	BMPS-3,4,5,6 BMPS-4,5,6,7,8 BMPS-4,5,6,7,8
B174-3-FS B181-3-FS B174-3-FS	B174-5-FS B181-5-FS B174-5-FS	B174-7-FS B181-7-FS B174-7-FS	B174-9-FS B181-9-FS B174-9-FS	B174-11-FS B181-11-FS B174-11-FS	3/4 1 1	B174-MP B97-MP B197-MP	BMPS-4,5,6,7,8 BMPS-7,8,9,10,11 BMPS-7,8,9,10,11
B205-3-FS B205-3-FS	B205-5-FS B205-5-FS	B205-7-FS B205-7-FS	B05-9-FS B205-9-FS	B205-11-FS B205-11-FS	1 1	B197-MP B221-MP	BMPS-6,7,8,9,10,11 BMPS-7,8,9,10,11,12
B213-3-FS B221-3-FS	B213-5-FS B221-5-FS	B213-7-FS B221-7-FS	B213-9-FS B221-9-FS	B213-11-FS B221-11-FS	1 1	B221-MP B221-MP	BMPS-7,8,9,10,11,12 BMPS-7,8,9,10,11,12

BOILER TUBE EXPANDER



'B-1000' SERIES WITH COLLAR 3 PLAIN & 3 FLARE ROLLER TUBE EXPANDER

Tube O. D.
1"- 4.1/2"



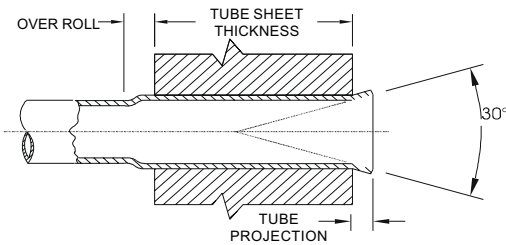
TUBE SIZE			TUBE SIZE			MIN. I.D. TUBE TOOL ENTERS	MAX. EXPANSION OF TOOLS	TUBE EXPANDER MODEL NUMBER						
O.D. inch	THK. GA.	THK. inch	O.D. inch	THK. GA.	THK. inch			TUBE SHEET THICKNESS RANGE						
						Mm	Inch	Mm	Inch	1/2" TO 3/4"	7/8" TO 1. 1/4"	1.3/8" TO 1.3/4"	1. 7/8" TO 2. 1/4"	2. 3/8" TO 2. 3/4"
Tube Sheet Thickness Codes >>>										3	5	7	9	11
3	2	(.284)	2.3/4	7-9	(.180 -.148)	57.7	(2.271)	68.0	(2.677)	BP1229/3	BP1229/5	BP1229/7	BP1229/9	BP1229/11
3	3&4	(.259 &.238)	2.3/4	10-12	(.134 -.109)	59.7	(2.350)	70.0	(2.756)	BP1237/3	BP1237/5	BP1237/7	BP1237/9	BP1237/11
3	5&6	(.220 &.203)	2.3/4	13-16	(.095 -.065)	61.7	(2.429)	72.0	(2.835)	BP1244/3	BP1244/5	BP1244/7	BP1244/9	BP1244/11
3	7&8	(.180 &.165)	3.1/4	3	(.259)	63.7	(2.507)	74.0	(2.913)	BP1252/3	BP1252/5	BP1252/7	BP1252/9	BP1252/11
3	10-12	(.134 -.109)	3.1/4	4	(.259)	65.7	(2.586)	76.0	(2.992)	BP1260/3	BP1260/5	BP1260/7	BP1260/9	BP1260/11
3	13&14	(.095 &.083)	3.1/4			67.7	(2.665)	78.0	(3.071)	BP1268/3	BP1268/5	BP1268/7	BP1268/9	BP1268/11
3	15&16	(.072 &.065)	3.1/4	5&6	(.220 &.203)	69.7	(2.744)	80.0	(3.150)	BP1276/3	BP1276/5	BP1276/7	BP1276/9	BP1276/11
3.1/2	2&3	(.284 &.259)	3.1/4	7-11	(.180 -.120)	71.7	(2.822)	82.0	(3.228)	BP1284/3	BP1284/5	BP1284/7	BP1284/9	BP1284/11
3.1/2	4-6	(.259 -.203)	3.1/4	12-14	(.109 -.480)	73.7	(2.901)	84.0	(3.307)	BP1292/3	BP1292/5	BP1292/7	BP1292/9	BP1292/11
3.1/2	7-9	(.180 -.148)	3.1/4	15&16	(.072 &.065)	75.7	(2.980)	86.0	(3.386)	BP1300/3	BP1300/5	BP1300/7	BP1300/9	BP1300/11
3.1/2	10-12	(.134 -.109)	3.3/4	2&3	(.284 &.259)	77.7	(3.059)	88.0	(3.465)	BP1308/3	BP1308/5	BP1308/7	BP1308/9	BP1308/11
3.1/2	13-15	(.095 -.072)	3.3/4	4-6	(.259 -.203)	79.7	(3.137)	92.0	(3.622)	BP1315/3	BP1315/5	BP1315/7	BP1315/9	BP1315/11
3.1/2	16	(.065)	3.3/4	7&8	(.180 &.165)	81.7	(3.216)	94.0	(3.701)	BP1323/3	BP1323/5	BP1323/7	BP1323/9	BP1323/11
4	3	(.259)	3.3/4	9-12	(.148 -.109)	83.7	(3.295)	96.0	(3.780)	BP1331/3	BP1331/5	BP1331/7	BP1331/9	BP1331/11
4	4-6	(.259 -.203)	3.3/4	13-16	(.095 -.065)	85.7	(3.374)	98.0	(3.858)	BP1339/3	BP1339/5	BP1339/7	BP1339/9	BP1339/11
4	7&8	(.180 &.165)	4.1/4	2	(.284)	87.7	(3.452)	100.0	(3.937)	BP1347/3	BP1347/5	BP1347/7	BP1347/9	BP1347/11
4	9-12	(.148 -.109)	4.1/4	3	(.259)	89.7	(3.531)	102.0	(4.016)	BP1355/3	BP1355/5	BP1355/7	BP1355/9	BP1355/11
4	13-15	(.095 -.072)	4.1/4	4	(.259)	91.7	(3.610)	104.0	(4.094)	BP1363/3	BP1363/5	BP1363/7	BP1363/9	BP1363/11
4	16	(.065)	4.1/4	7&8	(.180 &.165)	93.7	(3.688)	106.0	(4.173)	BP1370/3	BP1370/5	BP1370/7	BP1370/9	BP1370/11
4.1/2	3	(.259)	4.1/4	9-11	(.148 -.120)	95.7	(3.767)	108.0	(4.252)	BP1378/3	BP1378/5	BP1378/7	BP1378/9	BP1378/11
4.1/2	4-6	(.259 -.203)	4.1/4	12-16	(.109 -.065)	97.7	(3.846)	110.0	(4.331)	BP1386/3	BP1386/5	BP1386/7	BP1386/9	BP1386/11
4.1/2	7-14	(.180 -.083)				99.7	(3.925)	111.0	(4.407)	BP1394/3	BP1394/5	BP1394/7	BP1394/9	BP1394/11

BOILER TUBE EXPANDER



'B-1000' SERIES WITH COLLAR 3 PLAIN & 3 FLARE ROLLER TUBE EXPANDER

Tube O. D.
1" - 4.1/2"



SPARE ROLLERS SET MODEL NUMBER					SPARE MANDREL MODEL NUMBER		
TUBE SHEET THICKNESS RANGE					MANDRE SIZE inch	DRUM TYPE	SHORT SERIES MANDRELS
1/2" TO 3/4"	7/8" TO 1. 1/4"	1. 3/8" TO 1. 3/4"	1. 7/8" TO 2. 1/4"	2. 3/8" TO 2. 3/4"			
3	5	7	9	11	<<< Tube Sheet Thickness Codes		
B221-3-FS B237-3-FS B252-3-FS	B221-5-FS B237-5-FS B252-5-FS	B221-7-FS B237-7-FS B252-7-FS	B221-9-FS B237-9-FS B252-9-FS	B221-11-FS B237-11-FS B252-11-FS	1 1 1	B244-MP B244-MP B244-MP	BMPS-8,9,10,11,12,13 BMPS-8,9,10,11,12,13 BMPS-8,9,10,11,12,13
B252-3-FS B260-3-FS B268-3-FS	B252-5-FS B260-5-FS B268-5-FS	B252-7-FS B260-7-FS B268-7-FS	B252-9-FS B260-9-FS B268-9-FS	B252-11-FS B260-11-FS B268-11-FS	1 1 1	B268-MP B268-MP B268-MP	BMPS-10,11,12,13,14 BMPS-10,11,12,13,14 BMPS-10,11,12,13,14
B276-3-FS B284-3-FS B292-3-FS	B276-5-FS B284-5-FS B292-5-FS	B276-7-FS B284-7-FS B292-7-FS	B276-9-FS B284-9-FS B292-9-FS	B276-11-FS B284-11-FS B292-11-FS	1 1 1	B300-MP B300-MP B300-MP	BMPS-12,13,14,15,16 BMPS-12,13,14,15,16 BMPS-12,13,14,15,16
B315-3-FS B284-3-FS B315-3-FS	B315-5-FS B284-5-FS B315-5-FS	B315-7-FS B284-7-FS B315-7-FS	B315-9-FS B284-9-FS B315-9-FS	B315-11-FS B284-11-FS B315-11-FS	1 1 1	B300-MP B347-MP B347-MP	BMPS-12,13,14,15,16 BMPS-15,16,17,18,19 BMPS-14,15,16,17,18,19
B323-3-FS B331-3-FS B355-3-FS	B323-5-FS B331-5-FS B355-5-FS	B323-7-FS B331-7-FS B355-7-FS	B323-9-FS B331-9-FS B355-9-FS	B323-11-FS B331-11-FS B355-11-FS	1 1 1	B347-MP B347-MP B347-MP	BMPS-14,15,16,17,18,19 BMPS-14,15,16,17,18,19 BMPS-14,15,16,17,18,19
B363-3-FS B355-3-FS B363-3-FS	B363-5-FS B355-5-FS B363-5-FS	B363-7-FS B355-7-FS B363-7-FS	B363-9-FS B355-9-FS B363-9-FS	B363-11-FS B355-11-FS B363-11-FS	1 1 1	B347-MP B394-MP B394-MP	BMPS-14,15,16,17,18,19 BMPS-17,18,19,20,21 BMPS-17,18,19,20,21
B370-3-FS B378-3-FS	B370-5-FS B378-5-FS	B370-7-FS B378-7-FS	B370-9-FS B378-9-FS	B370-11-FS B378-11-FS	1 1	B394-MP B394-MP	BMPS-17,18,19,20,21 BMPS-17,18,19,20,21
B386-3-FS B394-3-FS	B386-5-FS B394-5-FS	B386-7-FS B394-7-FS	B386-9-FS B394-9-FS	B386-11-FS B394-11-FS	1 1	B394-MP B394-MP	BMPS-17,18,19,20,21 BMPS-17,18,19,20,21

BOILER TUBE EXPANDER



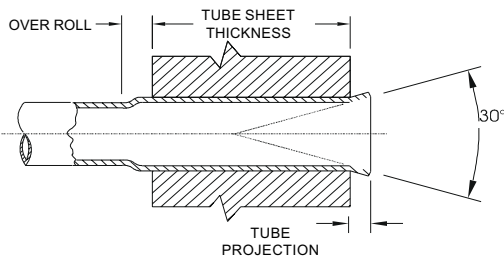
Tube O. D.
1" - 4.1/2"

'B-2000' SERIES WITH COLLAR

3 PLAIN & 3 FLARE ROLLER TUBE EXPANDER WITH THRUST BEARING

FEATURES:

- Use - Spring loaded drift thrust assembly used to position the expander accurately on the boiler tube in relation to the drum for consistent expansions.



TUBE SIZE			TUBE SIZE			MIN. I.D. TUBE TOOL ENTERS		MAX. EXPANSION OF TOOLS		TUBE EXPANDER MODEL NUMBER				
O.D. inch	THK. GA.	THK. inch	O.D. inch	THK. GA.	THK. inch	Mm	Inch	Mm	Inch	TUBE SHEET THICKNESS RANGE				
										1/2" TO 3/4"	7/8" TO 1. 1/4"	1.3/8" TO 1.3/4"	1. 7/8" TO 2. 1/4"	2. 3/8" TO 2. 3/4"
Tube Sheet Thickness Codes >>>										3	5	7	9	11
1	13&14	(.095 &.083)	1.1/8	9	(.148)	18.7	(.736)	23.4	(.921)	BP2079/3	BP2079/5			
1	15&16	(.072 &.065)	1.1/8	10	(.134)	19.7	(.775)	24.4	(.961)	BP2083/3	BP2083/5			
1.1/4	7	(.180)	1.1/8	11&12	(.120 &.109)	20.7	(.814)	25.5	(1.004)	BP2087/3	BP2087/5			
1.1/4	8&9	(.165 &.148)	1.1/8	13&14	(.095 &.083)	21.7	(.854)	26.5	(1.043)	BP2091/3	BP2091/5			
1.1/4	10	(.134)	1.1/8	15&16	(.072 &.065)	22.7	(.893)	28.1	(1.105)	BP2095/3	BP2095/5			
1.1/4	11-13	(.120 -.095)	1.3/8	8	(.165)	23.7	(.933)	29.0	(1.142)	BP2099/3	BP2099/5			
1.1/4	14&15	(.083 &.072)	1.3/8	9	(.148)	24.7	(.972)	30.0	(1.181)	BP2103/3	BP2103/5			
1.1/4	16	(.065)	1.3/8	10	(.134)	26.8	(1.055)	33.0	(1.299)	BP2111/3	BP2111/5			
1.1/2	10-12	(.134 -.109)	1.3/8	15&16	(.072 &.065)	29.7	(1.169)	35.0	(1.378)	BP2118/3	BP2118/5			
1.1/2	13-16	(.095 -.065)	1.3/4	6&7	(.203 &.180)	31.7	(1.248)	38.0	(1.496)	BP2126/3	BP2126/5			
2	3	(.259)	1.3/4	8&9	(.165 &.148)	33.7	(1.326)	40.0	(1.575)	BP2134/3	BP2134/5	BP2134/7	BP2134/9	BP2134/11
2	4&5	(.238 &.220)	1.3/4	10-12	(.134 -.109)	35.7	(1.405)	42.5	(1.673)	BP2142/3	BP2142/5	BP2142/7	BP2142/9	BP2142/11
2	6	(.203)	1.3/4	13-16	(.095 -.065)	37.7	(1.484)	44.5	(1.752)	BP2150/3	BP2150/5	BP2150/7	BP2150/9	BP2150/11
2	7-9	(.180 -.148)	2.1/4	3	(.259)	39.7	(1.562)	47.0	(1.850)	BP2158/3	BP2158/5	BP2158/7	BP2158/9	BP2158/11
2	10-12	(.134 -.109)	2.1/4	4	(.238)	41.7	(1.641)	49.0	(1.929)	BP2166/3	BP2166/5	BP2166/7	BP2166/9	BP2166/11
2	13-15	(.095 -.072)	2.1/4	5&6	(.220 &.203)	43.7	(1.720)	51.5	(2.027)	BP2174/3	BP2174/5	BP2174/7	BP2174/9	BP2174/11
2	16	(.065)	2.1/4	7-9	(.180 -.148)	45.7	(1.799)	54.0	(2.126)	BP2181/3	BP2181/5	BP2181/7	BP2181/9	BP2181/11
2.1/2	4&5	(.238 &.220)	2.1/4	10-13	(.134 -.095)	47.7	(1.877)	56.0	(2.205)	BP2189/3	BP2189/5	BP2189/7	BP2189/9	BP2189/11
2.1/2	6	(.203)	2.1/4	14-16	(.083 -.065)	49.7	(1.956)	60.0	(2.362)	BP2197/3	BP2197/5	BP2197/7	BP2197/9	BP2197/11
2.1/2	7-10	(.180 -.134)	2.3/4	2&3	(.284 &.259)	51.7	(2.035)	62.0	(2.441)	BP2205/3	BP2205/5	BP2205/7	BP2205/9	BP2205/11
2.1/2	11-13	(.120 -.095)	2.3/4	4&5	(.238 &.220)	53.7	(2.114)	64.0	(2.520)	BP2213/3	BP2213/5	BP2213/7	BP2213/9	BP2213/11
2.1/2	14-16	(.083 -.065)	2.3/4	6-8	(.203 -.165)	55.7	(2.192)	66.0	(2.598)	BP2221/3	BP2221/5	BP2221/7	BP2221/9	BP2221/11

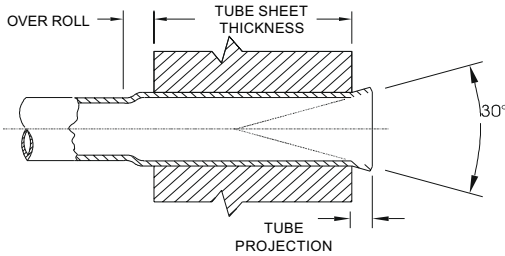
BOILER TUBE EXPANDER



'B-2000' SERIES WITH COLLAR

3 PLAIN & 3 FLARE ROLLER TUBE EXPANDER WITH THRUST BEARING

Tube O. D.
1" - 4.1/2"



SPARE ROLLERS SET MODEL NUMBER					SPARE MANDREL MODEL NUMBER		
TUBE SHEET THICKNESS RANGE					MANDREL SIZE inch	DRUM TYPE	SHORT SERIES MANDRELS
1/2" TO 3/4"	7/8" TO 1. 1/4"	1. 3/8" TO 1. 3/4"	1. 7/8" TO 2. 1/4"	2. 3/8" TO 2. 3/4"			
3	5	7	9	11	<<< Tube Sheet Thickness Codes		
B079-3-FS B083-3-FS B087-3-FS	B079-5-FS B083-5-FS B087-5-FS				1/2 1/2 1/2	B83-M B83-M B91-M	
B095-3-FS B095-3-FS B099-3-FS	B095-5-FS B095-5-FS B099-5-FS				1/2 1/2 1/2	B91-M B99-M B99-M	
B103-3-FS B111-3-FS B118-3-FS	B103-5-FS B111-5-FS B118-5-FS				1/2 3/4 3/4	B99-M B118-M B118M	BMS-1,2,3 BMS-1,2,3
B126-3-FS B126-3-FS B142-3-FS	B126-5-FS B126-5-FS B142-5-FS	B126-7-FS B142-7-FS	B126-9-FS B142-9-FS	B126-11-FS B142-11-FS	3/4 3/4 3/4	B126-M B134-M B150-M	BMS-2,3,4 BMS-3,4,5 BMS-3,4,5,6
B150-3-FS B158-3-FS B166-3-FS	B150-5-FS B158-5-FS B166-5-FS	B150-7-FS B158-7-FS B166-7-FS	B150-9-FS B158-9-FS B166-9-FS	B150-11-FS B158-11-FS B166-11-FS	3/4 3/4 3/4	B150-M B174-M B174-M	BMS-3,4,5,6 BMS-4,5,6,7,8 BMS-4,5,6,7,8
B174-3-FS B181-3-FS B174-3-FS	B174-5-FS B181-5-FS B174-5-FS	B174-7-FS B181-7-FS 1B74-7-FS	B174-9-FS B181-9-FS B174-9-FS	B174-11-FS B181-11-FS B174-11-FS	3/4 1 1	B174-M B197-M B197-M	BMS-4,5,6,7,8 BMS-7,8,9,10,11 BMS-7,8,9,10,11
B205-3-FS B205-3-FS	B205-5-FS B205-5-FS	B205-7-FS B205-7-FS	B205-9-FS B205-9-FS	B205-11-FS B205-11-FS	1 1	B197-M B221-M	BMS-6,7,8,9,10,11 BMS-7,8,9,10,11,12
B213-3-FS B221-3-FS	B213-5-FS B221-5-FS	B213-7-FS B221-7-FS	B213-9-FS B221-9-FS	B213-11-FS B221-11-FS	1 1	B221-M B221-M	BMS-7,8,9,10,11,12 BMS-7,8,9,10,11,12

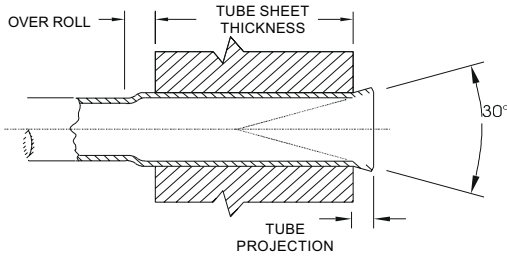
BOILER TUBE EXPANDER



Tube O. D.
1" - 4.1/2"

'B-2000' SERIES WITH COLLAR

3 PLAIN & 3 FLARE ROLLER TUBE EXPANDER WITH THRUST BEARING



TUBE SIZE			TUBE SIZE			MIN. I.D. TUBE TOOL ENTERS		MAX. EXPANSION OF TOOLS		TUBE EXPANDER MODEL NUMBER				
O.D. inch	THK. GA.	THK. inch	O.D. inch	THK. GA.	THK. inch	Mm	Inch	Mm	Inch	TUBE SHEET THICKNESS RANGE				
										1/2" TO 3/4"	7/8" TO 1. 1/4"	1.3/8" TO 1.3/4"	1. 7/8" TO 2. 1/4"	2. 3/8" TO 2. 3/4"
Tube Sheet Thickness Codes >>>										3	5	7	9	11
3	2	(.284)	2.3/4	7-9	(.180 -.148)	57.7	(2.271)	68.0	(2.677)	BP2229/3	BP2229/5	BP2229/7	BP2229/9	BP2229/11
3	3&4	(.259 &.238)	2.3/4	10-12	(.134 -.109)	59.7	(2.350)	70.0	(2.756)	BP2237/3	BP2237/5	BP2237/7	BP2237/9	BP2237/11
3	5&6	(.220 &.203)	2.3/4	13-16	(.095 -.065)	61.7	(2.429)	72.0	(2.835)	BP2244/3	BP2244/5	BP2244/7	BP2244/9	BP2244/11
3	7&8	(.180 &.165)	3.1/4	3	(.259)	63.7	(2.507)	74.0	(2.913)	BP2252/3	BP2252/5	BP2252/7	BP2252/9	BP2252/11
3	10-12	(.134 -.109)	3.1/4	4	(.259)	65.7	(2.586)	76.0	(2.992)	BP2260/3	BP2260/5	BP2260/7	BP2260/9	BP2260/11
3	13&14	(.095 &.083)	3.1/4			67.7	(2.665)	78.0	(3.071)	BP2268/3	BP2268/5	BP2268/7	BP2268/9	BP2268/11
3	15&16	(.072 &.065)	3.1/4	5&6	(.220 &.203)	69.7	(2.744)	80.0	(3.150)	BP2276/3	BP2276/5	BP2276/7	BP2276/9	BP2276/11
3.1/2	2&3	(.284 &.259)	3.1/4	7-11	(.180 -.120)	71.7	(2.822)	82.0	(3.228)	BP2284/3	BP2284/5	BP2284/7	BP2284/9	BP2284/11
3.1/2	4-6	(.259 -.203)	3.1/4	12-14	(.109 -.480)	73.7	(2.901)	84.0	(3.307)	BP2292/3	BP2292/5	BP2292/7	BP2292/9	BP2292/11
3.1/2	7-9	(.180 -.148)	3.1/4	15&16	(.072 &.065)	75.7	(2.980)	86.0	(3.386)	BP2300/3	BP2300/5	BP2300/7	BP2300/9	BP2300/11
3.1/2	10-12	(.134 -.109)	3.3/4	2&3	(.284 &.259)	77.7	(3.059)	88.0	(3.465)	BP2308/3	BP2308/5	BP2308/7	BP2308/9	BP2308/11
3.1/2	13-15	(.095 -.072)	3.3/4	4-6	(.259 -.203)	79.7	(3.137)	92.0	(3.622)	BP2315/3	BP2315/5	BP2315/7	BP2315/9	BP2315/11
3.1/2	16	(.065)	3.3/4	7&8	(.180 &.165)	81.7	(3.216)	94.0	(3.701)	BP2323/3	BP2323/5	BP2323/7	BP2323/9	BP2323/11
4	3	(.259)	3.3/4	9-12	(.148 -.109)	83.7	(3.295)	96.0	(3.780)	BP2331/3	BP2331/5	BP2331/7	BP2331/9	BP2331/11
4	4-6	(.259 -.203)	3.3/4	13-16	(.095 -.065)	85.7	(3.374)	98.0	(3.858)	BP2339/3	BP2339/5	BP2339/7	BP2339/9	BP2339/11
4	7&8	(.180 &.165)	4.1/4	2	(.284)	87.7	(3.452)	100.0	(3.937)	BP2347/3	BP2347/5	BP2347/7	BP2347/9	BP2347/11
4	9-12	(.148 -.109)	4.1/4	3	(.259)	89.7	(3.531)	102.0	(4.016)	BP2355/3	BP2355/5	BP2355/7	BP2355/9	BP2355/11
4	13-15	(.095 -.072)	4.1/4	4	(.259)	91.7	(3.610)	104.0	(4.094)	BP2363/3	BP2363/5	BP2363/7	BP2363/9	BP2363/11
4	16	(.065)	4.1/4	7&8	(.180 &.165)	93.7	(3.688)	106.0	(4.173)	BP2370/3	BP2370/5	BP2370/7	BP2370/9	BP2370/11
4.1/2	3	(.259)	4.1/4	9-11	(.148 -.120)	95.7	(3.767)	108.0	(4.252)	BP2378/3	BP2378/5	BP2378/7	BP2378/9	BP2378/11
4.1/2	4-6	(.259 -.203)	4.1/4	12-16	(.109 -.065)	97.7	(3.846)	110.0	(4.331)	BP2386/3	BP2386/5	BP2386/7	BP2386/9	BP2386/11
4.1/2	7-14	(.180 -.083)	4.1/4			99.7	(3.925)	111.0	(4.407)	BP2394/3	BP2394/5	BP2394/7	BP2394/9	BP2394/11

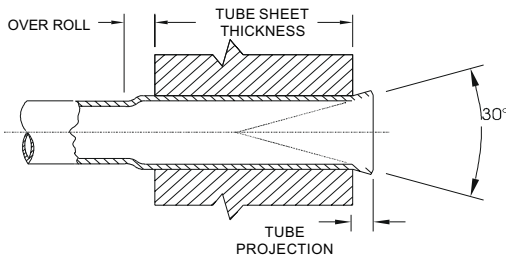
BOILER TUBE EXPANDER



Tube O. D.
1" - 4.1/2"

'B-2000' SERIES WITH COLLAR

3 PLAIN & 3 FLARE ROLLER TUBE EXPANDER WITH THRUST BEARING



SPARE ROLLERS SET MODEL NUMBER					SPARE MANDREL MODEL NUMBER		
TUBE SHEET THICKNESS RANGE					MANDREL SIZE inch	DRUM TYPE	SHORT SERIES MANDRELS
1/2" TO 3/4"	7/8" TO 1. 1/4"	1. 3/8" TO 1. 3/4"	1. 7/8" TO 2. 1/4"	2. 3/8" TO 2. 3/4"			
3	5	7	9	11	<<< Tube Sheet Thickness Codes		
B221-3-FS B237-3-FS B252-3-FS	B221-5-FS B237-5-FS B252-5-FS	B221-7-FS B237-7-FS B252-7-FS	B221-9-FS B237-9-FS B252-9-FS	B221-11-FS B237-11-FS B252-11-FS	1 1 1	B/244-M B244-M B244-M	BMS-8,9,10,11,12,13 BMS-8,9,10,11,12,13 BMS-8,9,10,11,12,13
B252-3-FS B260-3-FS B268-3-FS	B252-5-FS B260-5-FS B268-5-FS	B252-7-FS B260-7-FS B268-7-FS	B252-9-FS B260-9-FS B268-9-FS	B252-11-FS B260-11-FS B268-11-FS	1 1 1	B268-M B268-M B268-M	BMS-10,11,12,13,14 BMS-10,11,12,13,14 BMS-10,11,12,13,14
B276-3-FS B284-3-FS B292-3-FS	B276-5-FS B284-5-FS B292-5-FS	B276-7-FS B284-7-FS B292-7-FS	B276-9-FS B284-9-FS B292-9-FS	B276-11-FS B284-11-FS B292-11-FS	1 1 1	B300-M B300-M B300-M	BMS-12,13,14,15,16 BMS-12,13,14,15,16 BMS-12,13,14,15,16
B315-3-FS B284-3-FS B315-3-FS	B315-5-FS B284-5-FS B315-5-FS	B315-7-FS B284-7-FS B315-7-FS	B315-9-FS B284-9-FS B315-9-FS	B315-11-FS B284-11-FS B315-11-FS	1 1 1	B300-M B347-M B347-M	BMS-12,13,14,15,16 BMS-15,16,17,18,19 BMS-14,15,16,17,18,19
B323-3-FS B331-3-FS B355-3-FS	B323-5-FS B331-5-FS B355-5-FS	B323-7-FS B331-7-FS B355-7-FS	B323-9-FS B331-9-FS B355-9-FS	B323-11-FS B331-11-FS B355-11-FS	1 1 1	B347-M B347-M B347-M	BMS-14,15,16,17,18,19 BMS-14,15,16,17,18,19 BMS-14,15,16,17,18,19
B363-3-FS B355-3-FS B363-3-FS	B363-5-FS B355-5-FS B363-5-FS	B363-7-FS B355-7-FS B363-7-FS	B363-9-FS B355-9-FS B363-9-FS	B363-11-FS B355-11-FS B363-11-FS	1 1 1	B347-M B394-M B394-M	BMS-14,15,16,17,18,19 BMS-17,18,19,20,21 BMS-17,18,19,20,21
B370-3-FS B378-3-FS	B370-5-FS B378-5-FS	B370-7-FS B378-7-FS	B370-9-FS B378-9-FS	B370-11-FS B378-11-FS	1 1	B394-M B394-M	BMS-17,18,19,20,21 BMS-17,18,19,20,21
B386-3-FS B394-3-FS	B386-5-FS B394-5-FS	B386-7-FS B394-7-FS	B386-9-FS B394-9-FS	B386-11-FS B394-11-FS	1 1	B394-M B394-M	BMS-17,18,19,20,21 BMS-17,18,19,20,21

BOILER TUBE EXPANDER



'B-3000' SERIES WITH COLLAR

3 PLAIN ROLLER TUBE EXPANDER WITH THRUST BEARING

Tube O. D.
1.1/4" - 4.1/2"

FEATURES:

- Expander can be accurately positioned in the boiler tube in relation to the drum for consistent expansions.
- Mandrels are interchangeable with B-2000 series.
- Use- For boilers tube sheets and drums thicker than 2.3/4" (70mm). Normally used in conjunction with B-1000, B-2000 series.



TUBE SIZE			TUBE SIZE			MIN. I.D. TUBE TOOL ENTERS		MAX. EXPANSION OF TOOLS		TUBE EXPANDER MODEL NUMBER	
O.D. inch	THK. GA.	THK. inch	O.D. inch	THK. GA.	THK. inch	Mm	Inch	Mm	Inch	1/2" TO 4. 3/8"	1. 1/2" TO 5. 3/8"
Tube Sheet Thickness Codes >>>										7	11
1.1/4	16	(.065)	1.3/8	10	(.134)	26.8	(1.055)	33.0	(1.299)	BP3111/7	
1.1/2	10-12	(.134 -.109)	1.3/8	13-16	(.095 -.065)	29.7	(1.169)	35.0	(1.378)	BBP3118/7	
1.1/2	13-16	(.095 -.065)	1.3/4	5-7	(.220 -.180)	31.7	(1.248)	38.0	(1.496)	BP3126/7	
2	3	(.259)	1.3/4	8&9	(.165 &.148)	33.7	(1.326)	40.0	(1.575)	BP3134/7	BP3134/11
2	4&5	(.238 &.220)	1.3/4	10-12	(.134 -.109)	35.7	(1.405)	42.5	(1.673)	BP3142/7	BP3142/11
2	6	(.203)	1.3/4	13-16	(.095 -.065)	37.7	(1.484)	44.5	(1.752)	BP3150/7	BP3150/11
2	7-9	(.180 -.148)	2.1/4	3	(.259)	39.7	(1.562)	47.0	(1.850)	BP3158/7	BP3158/11
2	10-12	(.134 -.109)	2.1/4	4&5	(.238 &.220)	41.7	(1.641)	49.0	(1.929)	BP3166/7	BP3166/11
2	13-15	(.095 -.072)	2.1/4	6&7	(.203 &.180)	43.7	(1.720)	51.5	(2.027)	BP3174/7	BP3174/11
2	16	(.065)	2.1/4	8&9	(.165 &.148)	45.7	(1.799)	54.0	(2.126)	BP3181/7	BP3181/11
2.1/2	4&5	(.238 &.220)	2.1/4	10-13	(.134 -.095)	47.7	(1.877)	56.0	(2.205)	BP3189/7	BP3189/11
2.1/2	6	(.203)	2.1/4	14-16	(.083 -.065)	49.7	(1.956)	60.0	(2.362)	BP3197/7	BP3197/11
2.1/2	7-10	(.180 -.134)	2.3/4	3	(.259)	51.7	(2.035)	62.0	(2.441)	BP3205/7	BP3205/11
2.1/2	11-13	(.120 -.095)	2.3/4	4&5	(.238 &.220)	53.7	(2.114)	64.0	(2.520)	BP3213/7	BP3213/11
2.1/2	14-16	(.083 -.065)	2.3/4	6	(.203)	55.7	(2.192)	66.0	(2.598)	BP3221/7	BP3221/11
3	2&3	(.284 &.259)	2.3/4	7-9	(.203 -.148)	57.7	(2.271)	68.0	(2.677)	BP3229/7	BP3229/11
3	4	(.238)	2.3/4	10-12	(.134 -.109)	59.7	(2.350)	70.0	(2.756)	BP3237/7	BP3237/11
3	5&6	(.220 &.203)	2.3/4	13-16	(.095 -.065)	61.7	(2.429)	72.0	(2.835)	BP3244/7	BP3244/11
3	7-9	(.180 -.148)	3.1/4	2&3	(.284 &.259)	63.7	(2.507)	74.0	(2.913)	BP3252/7	BP3252/11
3	10-12	(.134 -.109)	3.1/4	4	(.238)	65.7	(2.586)	76.0	(2.992)	BP3260/7	BP3260/11
3	13-14	(.095 -.083)	3.1/4	5	(.220)	67.7	(2.665)	78.0	(3.071)	BP3268/7	BP3268/11
3	15&16	(.072 &.065)	3.1/4	6	(.203)	69.7	(2.744)	80.0	(3.150)	BP3276/7	BP3276/11
3.1/2	3&4	(.284 &.238)	3.1/4	7-11	(.203 -.120)	71.7	(2.822)	82.0	(3.228)	BP3284/7	BP3284/11
3.1/2	5&6	(.220 &.203)	3.1/4	12-14	(.109 -.083)	73.7	(2.901)	84.0	(3.307)	BP3292/7	BP3292/11
3.1/2	7-9	(.180 -.148)	3.1/8	15&16	(.072 &.065)	75.7	(2.980)	86.0	(3.386)	BP3300/7	BP3300/11
3.1/2	10-12	(.134 -.109)	3.3/4	3&4	(.284 &.238)	77.7	(3.059)	88.0	(3.465)	BP3308/7	BP3308/11
3.1/2	13-15	(.095 -.072)	3.3/4	5&6	(.220 &.203)	79.7	(3.137)	92.0	(3.622)	BP3315/7	BP3315/11
3.1/2	16	(.065)	3.3/4	7&8	(.203 &.165)	81.7	(3.216)	94.0	(3.701)	BP3323/7	BP3323/11
4	3&4	(.284 &.238)	3.3/4	9-12	(.148 -.109)	83.7	(3.295)	96.0	(3.780)	BP3331/7	BP3331/11
4	5&6	(.220 &.203)	3.3/4	13-16	(.095 -.065)	85.7	(3.374)	98.0	(3.858)	BP3339/7	BP3339/11
4	7&8	(.180 &.165)	4.1/4	2	(.284)	87.7	(3.452)	100.0	(3.937)	BP3347/7	BP3347/11
4	9-12	(.148 -.109)	4.1/4	3&4	(.284 &.238)	89.7	(3.531)	102.0	(4.016)	BP3355/7	BP3355/11
4	13-15	(.095 -.072)	4.1/4	5&6	(.220 &.203)	91.7	(3.610)	104.0	(4.094)	BP3363/7	BP3363/11
4	16	(.065)	4.1/4	7&8	(.203 &.165)	93.7	(3.688)	106.0	(4.173)	BP3370/7	BP3370/11
4.1/2	3	(.284)	4.1/4	9-11	(.148 -.120)	95.7	(3.767)	108.0	(4.252)	BP3378/7	BP3378/11
4.1/2	4-6	(.238 -.203)	4.1/4	12-16	(.109 -.065)	97.7	(3.846)	110.0	(4.331)	BP3386/7	BP3386/11
4.1/2	7-14	(.180 -.083)	4.1/4			99.7	(3.925)	111.0	(4.407)	BP3394/7	BP3394/11

BOILER TUBE EXPANDER



'B-3000' SERIES WITH COLLAR

3 PLAIN ROLLER TUBE EXPANDER WITH THRUST BEARING

Tube O. D.
1.1/4" - 4.1/2"



SPARE ROLLERS SET MODEL NUMBER		SPARE MANDREL MODEL NUMBER		
TUBE SHEET THICKNESS RANGE		MANDREL SIZE inch	DRUM TYPE	SHORT SERIES MANDRELS
1/2" TO 4. 3/8"	1. 1/2" TO 5. 3/8"			
7	11	<<< Tube Sheet Thickness Codes		
B111-7-RS B118-7-RS B126-7-RS		3/4 3/4 3/4	B118-M B118-M B126-M	BMS-1,2,3 BMS-1,2,3 BMS-2,3,4
B126-7-RS B142-7-RS B150-7-RS	B126-11-RS B142-11-RS B150-11-RS	3/4 3/4 3/4	B134-M B150-M B150-M	BMS-3,4,5 BMS-3,4,5,6 BMS-3,4,5,6
B158-7-RS B166-7-RS B174-7-RS	B158-11-RS B166-11-RS B174-11-RS	3/4 3/4 3/4	B174-M B174-M B174-M	BMS-4,5,6,7,8 BMS-4,5,6,7,8 BMS-4,5,6,7,8
B181-7-RS B174-7-RS B205-7-RS	B181-11-RS B174-11-RS B205-11-RS	1 1 1	B197-M B197-M B197-M	BMS-7,8,9,10,11,12 BMS-7,8,9,10,11,12 BMS-6,7,8,9,10,11,12
B205-7-RS B213-7-RS B221-7-RS	B205-11-RS B213-11-RS B221-11-RS	1 1 1	B221-M B221-M B221-M	BMS-7,8,9,10,11,12 BMS-7,8,9,10,11,12 BMS-7,8,9,10,11,12
B221-7-RS B237-7-RS B252-7-RS	B221-11-RS B237-11-RS B252-11-RS	1 1 1	B244-M B244-M B244-M	BMS-8,9,10,11,12,13 BMS-8,9,10,11,12,13 BMS-8,9,10,11,12,13
B252-7-RS B260-7-RS B268-7-RS	B252-11-RS B260-11-RS B268-11-RS	1 1 1	B268-M B268-M B268-M	BMS-10,11,12,13,14 BMS-10,11,12,13,14 BMS-10,11,12,13,14
B276-7-RS B284-7-RS B292-7-RS	B276-11-RS B284-11-RS B292-11-RS	1 1 1	B300-M 3B00-M B300-M	BMS-12,13,14,15,16 BMS-12,13,14,15,16 BMS-12,13,14,15,16
B315-7-RS B284-7-RS B315-7-RS	B315-11-RS B284-11-RS B315-11-RS	1 1 1	B300-M B347-M B347-M	BMS-12,13,14,15,16 BMS-15,16,17,18,19 BMS-14,15,16,17,18,19
B23-7-RS B331-7-RS B355-7-RS	B323-11-RS B331-11-RS B355-11-RS	1 1 1	B347-M B347-M B347-M	BMS-14,15,16,17,18,19 BMS-14,15,16,17,18,19 BMS-14,15,16,17,18,19
B363-7-RS B355-7-RS B363-7-RS	B363-11-RS B355-11-RS B363-11-RS	1 1 1	B347-M B394-M B394-M	BMS-14,15,16,17,18,19 BMS-17,18,19,20,21 BMS-17,18,19,20,21
B370-7-RS B378-7-RS	B370-11-RS B378-11-RS	1 1	B394-M B394-M	BMS-17,18,19,20,21 BMS-17,18,19,20,21
B386-7-RS B394-7-RS	B386-11-RS B394-11-RS	1 1	B394-M B394-M	BMS-17,18,19,20,21 BMS-17,18,19,20,21

BOILER TUBE EXPANDER



COMBINATION BEADING EXPANDER TUBE EXPANDING AND BEADING IN SINGLE OPERATION

Tube O. D.
2" - 3"

FEATURES:

- Expansion & beading takes place in single operation.
- Air hammering not required. Therefore operator fatigue reduces.
- Time saving.



PREVIOUSLY		NOW	
Tools Required	1] Flaring tube expander 2] Tube expander drive 3] Beading tool 4] Air hammer	1] COMBINATION BEADING EXPANDER 2] Tube expander drive	
Operating Steps	1] Expand 2] Bead 3] Reroll	1] Expand and Bead [single operation]	
Operator Fatigue	high... due largely to air hammer vibration and noise	minimal no air hammer for beading no rerolling	
Manhours		Reduced by 20%	

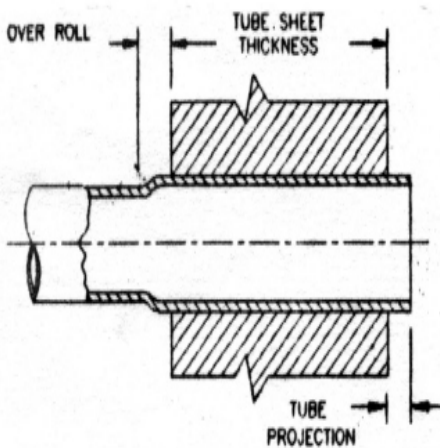
TUBE SIZE			EXPANSION RANGE		MODEL NO.	MANDREL NO.	SPARE ROLLER SET	BEADING ROLL	GUIDE ROLL ASSEMBLY
O.D. Inch	THK. GA	THK. inch	mm	inch					
2	10	(.134)	43.2 - 47.6	(1.700 - 1.875)	B41633-0010	B41615	B41670	B41631-0010	B41701-0010
	11	(.120)			B41633-0011			B41631-0011	B41701-0011
	12	(.109)			B41633-0012			B41631-0012	B41701-0012
	13	(.095)			B41633-0013			B41631-0013	B4101-0013
2.1/2	10	(.134)	55.9 - 60.3	(2.200 - 2.400)	B41634-0010	B41635	B41673	B41651-0010	B41702-0010
	11	(.120)			B41634-0011			B41651-0011	B41702-0011
	12	(.109)			B41634-0012			B41651-0012	B41702-0012
	13	(.095)			B41634-0013			B41651-0013	B41702-0013
3	10	(.134)	68.6 - 73.7	(2.700 - 2.900)	B41359-0010	B41653	B41676	B41666-0010	B41703-0010
	11	(.120)			B41359-0011			B41666-0011	B41703-0011
	12	(.109)			B41359-0012			B41666-0012	B41703-0012

BOILER TUBE EXPANDER

TYPE 'BV' NON PARALLEL EXPANSION TUBE EXPANDING AND BEADING IN SINGLE OPERATION FEATURES:

Tube O. D.
1" - 3"

- USE: Type "BV" Expander for repair and erection of boiler having thin tube sheets. Its is approximate twice as fast during use than other conventional expanders. Use header Mandrel when expanders is to be used through a watering.



TUBE SIZE			EXPANSION RANGE *				EFFECTIVE ROLLING LENGTH		TUBE EXPANDER (WITH SHORT MANDREL) MODEL NO.	SPARE MANDREL			SPARE ROLLER SET
O.D. Inch	THK. GA	THK. inch	DIM. A mm	DIM. B inch	DIM. A mm	DIM. B inch	mm	inch		SHORT MANDREL NO.	HEADER MANDREL NO.	MANDREL SQ.	
1	10 - 13 (.134 - .095)	(.134 - .095)	(17.3 - 23.7)	(.681 - .937)	84.20	(3.5/16)	BV - 1	BVSM - 1	BVHM - 1	1/2	BVR - 1		
1.1/4	10 - 13 (.134 - .095)	(.134 - .095)	(23.8 - 30.6)	(.940 - 1.206)	84.20	(3.5/16)	BV - 2	BVSM - 2	BVHM - 2	1/2	BVR - 2		
1.1/2	10 - 13 (.134 - .095)	(.134 - .095)	(29.3 - 37.3)	(1.156 - 1.469)	101.20	(4.000)	BV - 3	BVSM - 3	BVHM - 3	1/2	BVR - 3		
2	10 - 13 (.134 - .095)	(.134 - .095)	(42.3 - 49.7)	(1.665 - 1.960)	101.20	(4.000)	BV - 4	BVSM - 4	BVHM - 4	3/4	BVR - 4		
2.1/2	10 - 13 (.134 - .095)	(.134 - .095)	(54.5 - 62.7)	(2.145 - 2.469)	101.20	(4.000)	BV - 5	BVSM - 5	BVHM - 5	3/4	BVR - 5		
3	10 - 13 (.134 - .095)	(.134 - .095)	(68.2 - 76.6)	(2.687 - 3.015)	101.20	(4.000)	BV - 6	BVSM - 6	BVHM - 6	1	BVR - 6		

NOTE : Other sizes available on request

BOILER TUBE EXPANDER

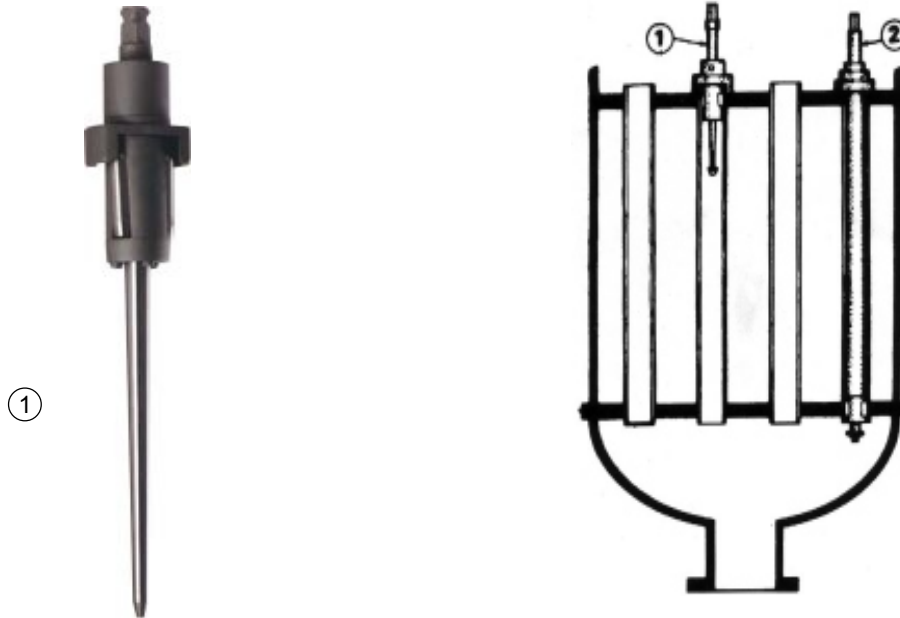


'BSB' PARALLEL TYPE 5 PLAIN ROLLER

Tube O. D.
1.1/2" - 4.1/2"

FEATURES:

- '5-Roll' Design is used primarily for rolling thin walled tubes used in sugar mill pan, juice heaters etc.
- '5-Roll' gives a more concentric, uniform expansion vs a 3 roll expander in thin tubes & reduces spring back action
- Time tested, durable design.
- Use - For **TOP** plate tube expansion in pan, juice heaters in sugar mills .



TUBE SIZE			MIN. I.D. TUBE ENTERS	MAX. EXPANSION OF TOOL	TUBE SHEET THICKNESS mm (inch)			SPARE MANDREL MODEL NUMBER	SQ. DRIVE inch	SPARE ROLLERS SET NUMBER		
O.D. inch	THK. GA.	THK. inch			31.75 (1.25)	38.1 (1.5)	50.8 (2.0)					
			Mm	Inch	Mm	Inch	TUBE EXPANDER MODEL					
1. 1/2	11 & 12	(.120 & .109)	29.0 (1.141)	31.9 (1.256)	BSB-00A	BSB-00B	BSB-00C	BSBM5-1	1/2	BSBR5-1A	BSBR5-1B	BSBR5-1C
1. 1/2	13 & 14	(.095 & .083)	32.5 (1.279)	36.0 (1.417)	BSB-0A	BSB-0B	BSB-0C	BSBM5-2	1/2	BSBR5-2A	BSBR5-2B	BSBR5-2C
1. 1/2	15 & 16	(.072 & .065)	33.5 (1.319)	37.2 (1.465)	BSB-1A	BSB-1B	BSB-1C	BSBM5-2	1/2	BSBR5-3A	BSBR5-3B	BSBR5-3C
1. 3/4	9 & 10	(.148 & .134)	35.2 (1.386)	39.1 (1.539)	BSB-2A	BSB-2B	BSB-2C	BSBM5-3	3/4	BSBR5-3A	BSBR5-3B	BSBR5-3C
1. 3/4	11 & 12	(.120 & .109)	36.5 (1.437)	40.5 (1.594)	BSB-3A	BSB-3B	BSB-3C	BSBM5-3	3/4	BSBR5-4A	BSBR5-4B	BSBR5-4C
1. 3/4	13 & 14	(.095 & .083)	38.1 (1.500)	42.7 (1.681)	BSB-4A	BSB-4B	BSB-4C	BSBM5-3	3/4	BSBR5-5A	BSBR5-5B	BSBR5-5C
1. 3/4	15 & 16	(.072 & .065)	39.1 (1.539)	44.2 (1.740)	BSB-5A	BSB-5B	BSB-5C	BSBM5-4	3/4	BSBR5-4A	BSBR5-4B	BSBR5-4C
2	7 & 8	(.180 & .165)	41.3 (1.626)	46.7 (1.838)	BSB-6A	BSB-6B	BSB-6C	BSBM5-4	3/4	BSBR5-5A	BSBR5-5B	BSBR5-5C
2	9 & 10	(.148 & .134)	42.8 (1.685)	48.3 (1.901)	BSB-7A	BSB-7B	BSB-7C	BSBM5-4	3/4	BSBR5-6A	BSBR5-6B	BSBR5-6C
2	11 - 13	(.120 - .095)	44.4 (1.748)	49.7 (1.957)	BSB-8A	BSB-8B	BSB-8C	BSBM5-5	3/4	BSBR5-6A	BSBR5-6B	BSBR5-6C
2	14 - 16	(.083 - .065)	44.4 (1.811)	52.2 (2.055)	BSB-9A	BSB-9B	BSB-9C	BSBM5-5	3/4	BSBR5-7A	BSBR5-7B	BSBR5-7C
2. 1/4	9 & 10	(.148 & .134)	47.6 (1.874)	53.8 (2.118)	BSB-10A	BSB-10B	BSB-10C	BSBM-5	3/4	BSBR-8A	BSBR-8B	BSBR-8C
2. 1/4	11 - 13	(.120 - .095)	49.2 (1.937)	55.4 (2.181)	BSB-11A	BSB-11B	BSB-11C	BSBM-5	3/4	BSBR-9A	BSBR-9B	BSBR-9C
2. 1/4	14 - 16	(.083 - .065)	50.7 (1.996)	57.8 (2.275)	BSB-12A	BSB-12B	BSB-12C	BSBM-6	3/4	BSBR-8A	BSBR-8B	BSBR-8C
2. 1/2	9 & 10	(.148 & .134)	54.9 (2.161)	61.0 (2.401)	BSB-13A	BSB-13B	BSB-13C	BSBM-6	3/4	BSBR-10A	BSBR-10B	BSBR-10C
2. 1/2	14 - 16	(.083 - .065)	57.1 (2.248)	65.6 (2.582)	BSB-14A	BSB-14B	BSB-14C	BSBM-7	1	BSBR-11A	BSBR-11B	BSBR-11C
2. 3/4	10 - 14	(.134 - .083)	60.3 (2.374)	68.8 (2.708)	BSB-15A	BSB-15B	BSB-15C	BSBM-7	1	BSBR-12A	BSBR-12B	BSBR-12C
3	7 - 9	(.180 - .148)	63.5 (2.500)	72.0 (2.835)	BSB-16A	BSB-16B	BSB-16C	BSBM-7	1	BSBR-13A	BSBR-13B	BSBR-13C
3	10 - 14	(.134 - .083)	66.5 (2.618)	75.0 (2.953)	BSB-17A	BSB-17B	BSB-17C	BSBM-7	1	BSBR-14A	BSBR-14B	BSBR-14C
3. 1/4	7 & 8	(.180 & .165)	69.8 (2.748)	78.5 (3.090)	BSB-18A	BSB-18B	BSB-18C	BSBM-8	1	BSBR-14A	BSBR-14B	BSBR-14C
3. 1/2	4 & 5	(.238 & .220)	73.0 (2.874)	81.7 (3.216)	BSB-19A	BSB-19B	BSB-19C	BSBM-8	1	BSBR-15A	BSBR-15B	BSBR-15C
3. 1/2	6 - 8	(.203 - .165)	76.1 (2.996)	85.8 (3.378)	BSB-20A	BSB-20B	BSB-20C	BSBM-9	1	BSBR-16A	BSBR-16B	BSBR-16C
3. 3/4	4 & 5	(.238 & .220)	79.3 (3.122)	89.0 (3.504)	BSB-21A	BSB-21B	BSB-21C	BSBM-9	1	BSBR-17A	BSBR-17B	BSBR-17C
3. 3/4	6 - 8	(.203 - .165)	82.5 (3.248)	92.2 (3.629)	BSB-22A	BSB-22B	BSB-22C	BSBM-9	1	BSBR-18A	BSBR-18B	BSBR-18C
4	3 & 4	(.259 & .238)	85.7 (3.374)	96.2 (3.787)	BSB-23A	BSB-23B	BSB-23C	BSBM-10	1	BSBR-18A	BSBR-18B	BSBR-18C
4	10 - 16	(.134 - .065)	90.3 (3.555)	100.8 (3.968)	BSB-24A	BSB-24B	BSB-24C	BSBM-10	1	BSBR-19A	BSBR-19B	BSBR-19C
4. 1/4	6 - 8	(.203 - .165)	94.9 (3.736)	105.2 (4.141)	BSB-25A	BSB-25B	BSB-25C	BSBM-11	1	BSBR-20A	BSBR-20B	BSBR-20C
4. 1/2	4 - 7	(.238 - .180)	89.7 (3.531)	110.9 (4.366)	BSB-26A	BSB-26B	BSB-26C	BSBM-11	1	BSBR-21A	BSBR-21B	BSBR-21C
4. 1/2	8 - 10	(.165 - .134)	104.3 (4.106)	113.1 (4.452)	BSB-27A	BSB-27B	BSB-27C	BSBM-12	1	BSBR-21A	BSBR-21B	BSBR-21C

BOILER TUBE EXPANDER



Tube O. D.
1.3/4"- 4"

LONG REACH 'BCSB' SERIES

PARALLEL -5 PLAIN ROLLERS

FEATURES:

- '5-Roll' Design is used primarily for rolling thin walled tubes used in sugar mill pan, juice heaters etc.
- '5-Roll' gives a more concentric, uniform expansion vs a 3 roll expander in thin tubes & reduces spring back action
- Time tested, durable design.
- Use - For **BOTTOM** plate tube expansion in pan, juice heaters in sugar mills .



2

TUBE SIZE			MIN. I.D. TUBE TOOL ENTERS	MAX. EXPANSION OF TOOL		TUBE SHEET THICKNESS 'T'		DEPTH MTRS	MANDREL SQ.	OAL	WEIGHT IN KGS	TUBE EXPANDER MODEL NUMBER	SPARE MANDREL MODEL NUMBER	SPARE ROLLERS SET NUMBER
O.D. inch	THK. GA.	THK. inch		Mm	Inch	Mm	Inch							
CSB-5 (3 ROLLERS)														
1.3/4	15&16	(.072 &.065)	39.8 (1.566)	45.3 (1.783)	32.0 (1.259)	1.7	2.0	3/4	2.258	10.00	BCSB-5STD	BCSBM-5STD	BCSBR-5	
1.3/4	15&16	(.072 &.065)	39.8 (1.566)	45.3 (1.783)	32.0 (1.259)	2.0	2.3	3/4	2.558	11.24	BCSB-5A	BCSBM-5A	BCSBR-5	
1.3/4	15&16	(.072 &.065)	39.8 (1.566)	45.3 (1.783)	32.0 (1.259)	2.3	2.3	3/4	2.858	12.48	BCSB-5B	BCSBM-5B	BCSBR-5	
1.3/4	15&16	(.072 &.065)	39.8 (1.566)	45.3 (1.783)	32.0 (1.259)	2.6	2.9	3/4	3.158	13.72	BCSB-5C	BCSBM-5C	BCSBR-5	
1.3/4	15&16	(.072 &.065)	39.8 (1.566)	45.3 (1.783)	32.0 (1.259)	2.9	3.2	3/4	3.458	14.96	BCSB-5D	BCSBM-5D	BCSBR-5	
1.3/4	15&16	(.072 &.065)	39.8 (1.566)	45.3 (1.783)	32.0 (1.259)	3.2	3.5	3/4	3.758	16.20	BCSB-5E	BCSBM-5E	BCSBR-5	
CSB-9 (5 ROLLERS)														
2	14-16	(.083 -.065)	46.2 (1.818)	50.8 (2.000)	32.0 (1.259)	1.7	2.0	3/4	2.241	16.2	BCSB-9STD	BCSBM-9STD	BCSBR-9	
2	14-16	(.083 -.065)	46.2 (1.818)	50.8 (2.000)	32.0 (1.259)	2.0	2.3	3/4	2.541	18.3	BCSB-9A	BCSBM-9A	BCSBR-9	
2	14-16	(.083 -.065)	46.2 (1.818)	50.8 (2.000)	32.0 (1.259)	2.3	2.3	3/4	2.841	20.4	BCSB-9B	BCSBM-9B	BCSBR-9	
2	14-16	(.083 -.065)	46.2 (1.818)	50.8 (2.000)	32.0 (1.259)	2.6	2.9	3/4	3.141	22.5	BCSB-9C	BCSBM-9C	BCSBR-9	
2	14-16	(.083 -.065)	46.2 (1.818)	50.8 (2.000)	32.0 (1.259)	2.9	3.2	3/4	3.441	24.6	BCSB-9D	BCSBM-9D	BCSBR-9	
2	14-16	(.083 -.065)	46.2 (1.818)	50.8 (2.000)	32.0 (1.259)	3.2	3.5	3/4	3.741	26.7	BCSB-9E	BCSBM-9E	BCSBR-9	
CSB-24 (5 ROLLERS)														
4	12-18	(.109 -.049)	90.5 (3.563)	102.4 (4.031)	32.0 (1.259)	0.7	1.0	1	1.416	23.7	BCSB-24STD	BCSBM-24STD	BCSBR-24	
4	12-18	(.109 -.049)	90.5 (3.563)	102.4 (4.031)	32.0 (1.259)	1.0	1.3	1	1.716	29.4	BCSB-24A	BCSBM-24A	BCSBR-24	
4	12-18	(.109 -.049)	90.5 (3.563)	102.4 (4.031)	32.0 (1.259)	1.3	1.6	1	2.016	35.5	BCSB-24B	BCSBM-24B	BCSBR-24	
4	12-18	(.109 -.049)	90.5 (3.563)	102.4 (4.031)	32.0 (1.259)	1.6	1.9	1	2.316	40.8	BCSB-24C	BCSBM-24C	BCSBR-24	
4	12-18	(.109 -.049)	90.5 (3.563)	102.4 (4.031)	32.0 (1.259)	1.9	2.2	1	2.616	46.5	BCSB-24D	BCSBM-24D	BCSBR-24	
4	12-18	(.109 -.049)	90.5 (3.563)	102.4 (4.031)	32.0 (1.259)	2.2	2.5	1	2.916	52.5	BCSB-24E	BCSBM-24E	BCSBR-24	

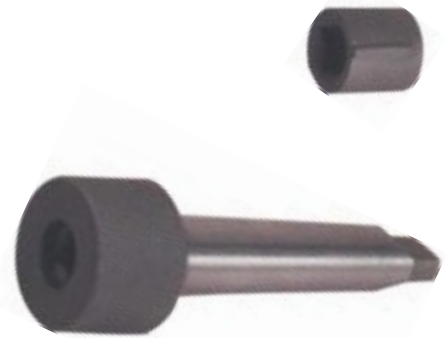
MANDREL DRIVES

FEATURES:

- Use: Mandrel drives serve the purpose of adapting tube expander mandrels to existing air or electric drills. Loosening the knurled nut, releases the square insert type of socket for the introduction of another size of insert to couple to other size of mandrel square.

TAPER SHANK - INTERCHANGEABLE FEMALE SQUARE

MORSE TAPER NO.	SQUARE SIZE	MODEL NO.	SQUARE SIZE	MODEL NO.
2	3/8" 1/2"	BMD/2/95 BMD/2/127	3/8" 1/2"	BMDS/95 BMDS/127
3	3/8" 1/2"	BMD/3/95 BMD/3/127	3/8" 1/2"	BMDS/95 BMDS/127
3	3/8" 1/2" 3/4" 1"	BMM/3/95 BMM/3/127 BMM/3/190 BMM/3/254	3/8" 1/2" 3/4" 1"	BMDT/95 BMDT/127 BMDT/190 BMDT/254
4	3/8" 1/2" 3/4" 1"	BMM/4/95 BMM/4/127 BMM/4/190 BMM/4/254	3/8" 1/2" 3/4" 1"	BMDT/95 BMDT/127 BMDT/190 BMDT/254
5	3/8" 1/2" 3/4" 1"	BMM/5/95 BMM/5/127 BMM/5/190 BMM/5/254	3/8" 1/2" 3/4" 1"	BMDT/95 BMDT/127 BMDT/190 BMDT/254



TAPER SHANK - MALE SQUARE



MORSE TAPER NO.	SQUARE SIZE	MODEL NO.
1	3/8" 1/2"	BMTM/1/95 BMTM/1/127
2	3/8" 1/2"	BMTM/2/95 BMTM/2/127
3	3/4" 1"	BMTM/3/190 BMTM/3/254
4	3/4" 1"	BMTM/4/190 BMTM/4/254

TAPER SHANK NO.
SIZE OF SQUARE
DIMENSION "A"

TAPER SHANK - FE MALE SQUARE



MORSE TAPER NO.	SQUARE SIZE	MODEL NO.
1	3/8" 1/2"	BMTF/1/95 BMTF/1/127
2	3/8" 1/2"	BMTF/1/95 BMTF/1/127
3	3/4" 1"	BMTF/3/190 BMTF/3/254
4	3/4" 1"	BMTF/4/190 BMTF/4/254

TAPER SHANK - FEMALE SQUARE



SQUARE SIZE	CHUCK SIZE	MODEL NO.
3/8"	1/4"	BMTC/95/63
3/8"	3/8"	BMTC/95/95
3/8"	1/2"	BMTC/95/127
1/2"	1/2"	BMTC/127/127

REVERSIBLE RATCHET WRENCH



SQUARE SIZE	LENGTH	MODEL NO.
3/8"	8"	BHR/95
1/2"	10"	BHR/127
3/4"	20"	BHR/195
1"	24"	BHR/254

Note: Ratchets are also available with hexagonal female openings for driving one revolution tube cutters & other items.

BOILER TUBE EXPANDER



ACCESSORIES



MALE SQUARE SIZES	MODEL NO.	OAL	DIA.
3/8"	BEB/95/6	6"	1/2"
	BEB/95/9	9"	
	BEB/95/12	12"	
	BEB/95/18	18"	
1/2"	BEB/127/6	6"	5/8"
	BEB/127/9	9"	
	BEB/127/12	12"	
	BEB/127/18	18"	
	BEB/127/24	24"	

MALE SQUARE SIZES	MODEL NO.	OAL	DIA.
3/4"	BEB/195/6	6"	1"
	BEB/195/9	9"	
	BEB/195/12	12"	
	BEB/195/18	18"	
1"	BEB/254/6	6"	1. 1/4"
	BEB/254/12	12"	
	BEB/254/14	14"	
	BEB/254/18	18"	
	BEB/254/24	24"	

EXTENSION COUPLING



SQUARE SIZE	MODEL NO.	OAL	DIA.
3/8" x 3/8"	BEC/95/95	1. 7/16"	13/16"
3/8" x 1/2"	BEC/95/127	1. 9/16"	1. 1/16"
3/8" x 5/8"	BEC/95/158	1. 1/2"	1. 1/4"
1/2" x 1/2"	BEC/127/127	1. 11/16"	1. 1/16"
1/2" x 5/8"	BEC/127/158	1. 5/8"	1. 1/4"
1/2" x 3/4"	BEC/127/195	1. 5/8"	1. 3/8"
1/2" x 7/8"	BEC/127/222	1. 5/8"	1. 5/8"
1/2" x 1"	BEC/127/254	1. 5/8"	1.7/8"
5/8" x 3/4"	BEC/158/195	1. 9/16"	1. 3/8"
5/8" x 7/8"	BEC/158/222	2"	1. 5/8"
5/8" x 1"	BEC/158/254	1. 13/16"	1. 7/8"
3/4" x 3/4"	BEC/195/195	1. 5/8"	1. 7/16"
3/4" x 7/8"	BEC/195/222	1. 5/8"	1. 3/4"
3/4" x 1"	BEC/195/254	1. 13/16"	1. 7/8"
7/8" x 7/8"	BEC/222/222	1. 11/16"	1. 3/4"
7/8" x 1"	BEC/222/254	2. 1/8"	2. 1/8"
1" x 1"	BEC/254/254	2. 1/16"	1. 7/8"

BOILER TUBE EXPANDER



UNIVERSAL JOINT

UNIVERSAL JOINT FEMALE - FEMALE



SQUARE SIZE	MODEL NO.	OAL	MAJOR DIA.
3/8"	UJ/95	2. 1/4"	7/8"
1/2"	UJ/127	2. 5/8"	1"
3/4"	UJ/195	3"	1. 1/2"
1"	UJ/254	3. 3/4"	1. 3/4"

UNIVERSAL JOINT MALE - FEMALE



SQUARE SIZE	MODEL NO.	OAL	MAJOR DIA.
3/8"	UC/95	2. 1/4"	7/8"
1/2"	UC/127	2. 19/32"	1"
3/4"	UC/195	3. 9/32"	1. 1/2"
1"	UC/254	4"	1. 3/4"

DOUBLE UNIVERSAL JOINT FEMALE - FEMALE



SQUARE SIZE	MODEL NO.	OAL	MAJOR DIA.
3/8"	BDUJ/95	3. 15/16"	1. 1/8"
1/2"	BDUJ/127	4"	1. 5/16"
3/4"	BDUJ/195	4. 11/16"	1. 5/8"
1"	BDUJ/254	6. 1/32"	2. 1/4"

EXTENSION UNIVERSAL JOINT FEMALE - MALE



SQUARE SIZE FEMALE	SQUARE SIZE MALE	MODEL NO.	OAL	MAJOR DIA.
3/8"	3/8"	BUE/95/6	6"	1. 1/8"
		BUE/95/9	9"	
		BUE/95/12	12"	
3/8"	1/2"	BUE/95S/9	9"	1. 1/8"
		BUE/95S/12	12"	
		BUE/95S/16	16"	
1/2"	1/2"	BUE/127/6	6"	1. 5/16"
		BUE/127/9	9"	
		BUE/127/12	12"	
		BUE/127/16	16"	
3/4"	3/4"	BUE/195/9	9"	1. 5/8"
		BUE/195/12	12"	
		BUE/195/16	16"	
1"	1"	BUE/195/20	20"	2. 1/4"
		BUE/254/9	9"	
		BUE/254/12	12"	
		BUE/254/16	16"	

GEAR DRIVE

PARALLEL GEAR TRAIN DRIVE



SQUARE SIZE	NO. OPGS.	MODEL NO.	REPLACEMENT PARTS				DIMENSIONS	
			DOUBLE HUB GEAR		CENTER GEAR		OAL	WIDTH
			MODEL NO.	NOS. REQD	MODEL NO.	NOS. REQD		
3/8"	2	BBG/2/95	BGH/2/95	3	BGH/2/95	3	8.1/2"	2"
1/2"	2	BG/2/127	BGH/2/127	2	BGC/2/1273	3	8.1/2"	2"
	3	BG/3/127	BGH/3/127	3	BGC/3/1272	2		
3/4"	2	BG/2/195	BGH/2/195	2	BGC/2/1952	2	9"	2.1/2"
	3	BG/3/195	BGH/3/195	3	BGC/3/1951	1		
1"	2	BG/2/254	BGH/2/254	2	BGH/2/254	2	9	2.1/2"



MALE SQUARE	FEMALE SQUARE	MODEL NO.	OVL.	GEAR HOUSING			MINIMUM HAND HOLE DIAMETER	GEAR RATIO
				LENGTH	WIDTH	THICK.		
1/2"	1/2"	BRW/127/127	10.3/16"	3.3/16"	2.1/4"	1.3/8"	3.3/8"	4.1/2 to 1
1/2"	3/4"	BRW/127/195	10.3/16"	3.3/16"	2.1/4"	1.3/8"	3.3/8"	4.1/2 to 1
3/4"	3/4"	BRW/195/195	11.9/32"	3.27/32"	2.5/8"	1.7/8"	4"	4.1/2 to 1
3/4"	1"	BRW/195/254	11.9/32"	4.1/4"	3.1/16"	1.7/8"	4.1/2"	4.1/2 to 1